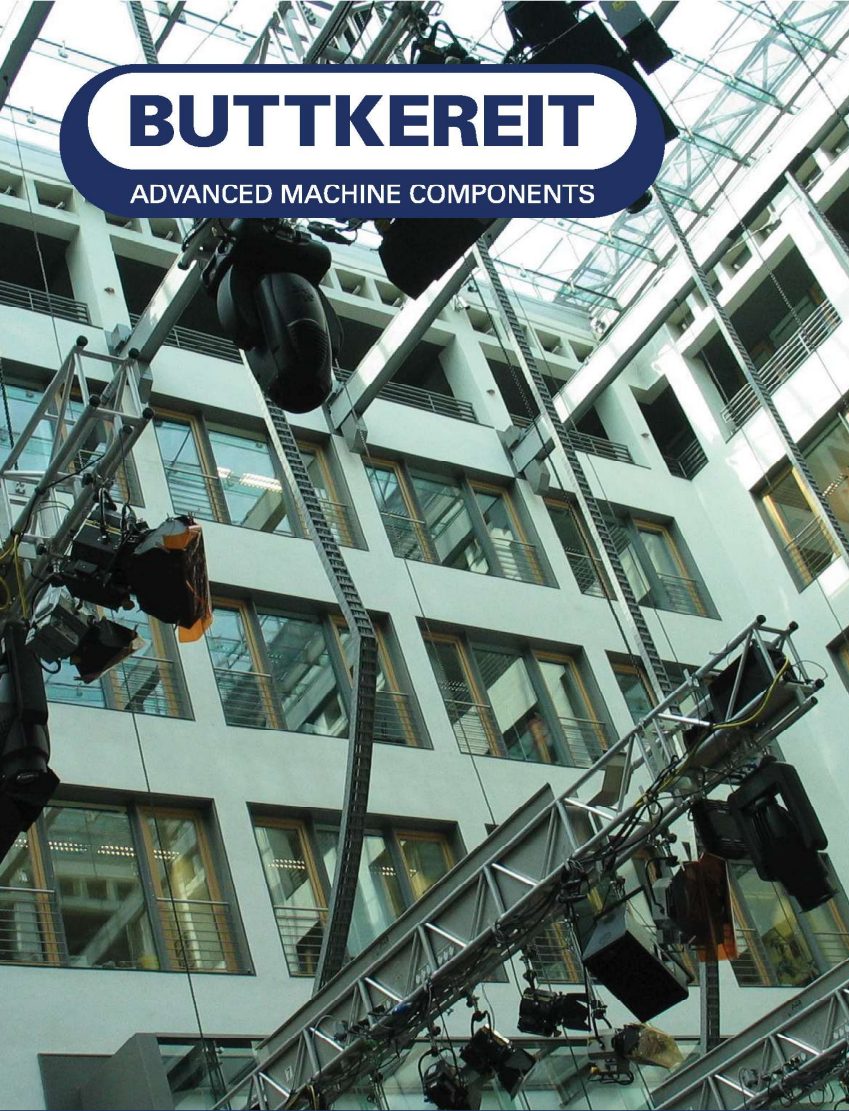


BUTTKEREIT

ADVANCED MACHINE COMPONENTS



- Travel from 2m to 30m
- Plastic or steel construction
- Flexible Design

BKT-30 Zig Zag Energy Chain for vertical applications



Guiding cables and hoses in vertical movements is full of challenges. The BKT-30 System is designed to manage cables in such applications.

Buttkereit have 30 years experience working in cable management and understand how important it is to get it right first time.

The system comprises a modified cable energy chain with reverse bend links and a housing or box to contain the energy chain and cables.

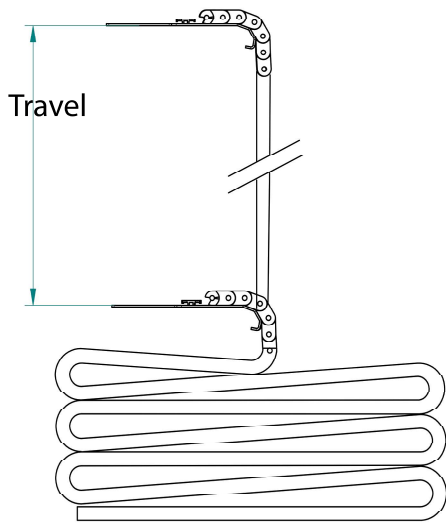
The BKT-30 can be designed to suit multiple applications and a variety of material options are available.

www.buttkereit.co.uk

++44 (0) 161 969 5418

System Overview

Zig Zag Cable Energy Chain



The system uses modified versions of our standard energy chain, ensuring that there is a large range of sizes and materials to choose from.

Systems can be supplied in plastic, in plastic / aluminium hybrid or in complete steel construction.

All systems are developed and assembled in the UK by our in-house design team. We take pride in working with our customers to find the right solution.



BKT-30 Cable Jack System

System	Material	Max Cable OD	Travel Distance
Kolibri	Plastic	18mm	2m – 14m
PKK	Plastic	32mm	2m – 30m
PLE	Plastic – Aluminum	62mm	2m – 30m
SLE	Steel – Aluminium	90mm *	2m – 30m



Guide Box

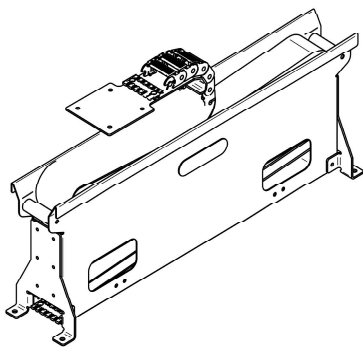
The Guide Box is based on a standard design, but systems can be configured and tailored to suit the application requirements.

Boxes are designed with carrying handles or lifting points to allow for easy movement and positioning of the system.

Fixing brackets are also a standard part of the design and can be positioned to best suit the needs of the application.

Guide boxes can also be supplied in a number of materials and finishes, in stainless steel, galvanised steel or in mild steel with paint or powder coated finish.

Boxes also are provided with suitable entry / exit points for the cables.



M. Buttkerreit Ltd.

Unit 1 & 2, Britannia Rd Ind Est.
Sale, Cheshire, M33 2AA
sales@buttkerreit.co.uk

www.buttkerreit.co.uk

++44 (0) 161 969 5418