

Ethernet Switch Industriali
Industrial Ethernet Switches

NEW



5 Porte

8 Porte

16 Porte

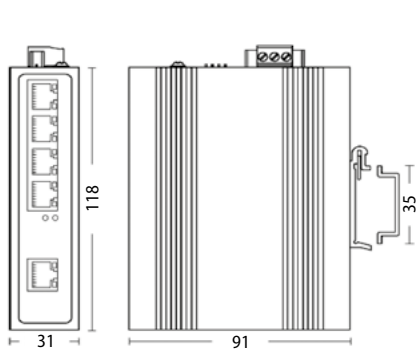


Versioni con PoE a richiesta / Versions with PoE on request

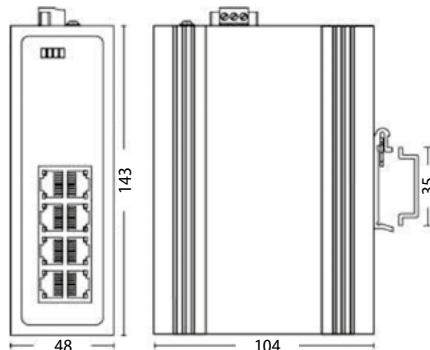
MODELLI / Model list	1 Gigabit					
	ESN5010	ESN8010	ESN16010	ESN5100	ESN8100	ESN16100
Codice	3280050100	3280080100	3280160100	3280051000	3280081000	3280161000
Tipo switch / Switch type	Unmanaged industrial switches					
Porte / Ports	5*10/100 Base-T	8*10/100 Base-T	16*10/100 Base-T	5*1 Gigabit Base-T	8*1 Gigabit Base-T	16*1 Gigabit Base-T
Protezione / Protection	IP40					
Installazione / Setting	Installazione guida DIN / DIN rail					
Tipo di cavo e distanza / Cable type and distance	Twisted-Pair 0÷100m CAT					
Indicatori LED / LED indicators	PWR, OPT, NMC, ALM	P1/P2, OPT	Power Link/ACT-LED	PWR, Link/ACT LED	PWR, OPT, NMC, ALM	PWR, Link ACT LED
Connettore di alimentazione / Power connector	Morsetto, doppia alimentazione / Clamp, dual power supply					
Tensione d'ingresso / Input voltage	12 ÷ 58 VDC					
Consumo energetico totale / Total power consumption	<5 W	<6 W	<10 W	<5 W	<6 W	<10 W
Topologia network / Network topology	Stella, Bus, Albero, Ibrida / Star, Bus, Tree, Hybrid					
Dimensioni / Dimensions (WxHxD)	31x91x118 mm	46x104x143 mm	48x104x43 mm	31x91x118 mm	48x104x143 mm	48x104x143 mm
Peso / Weight	0,36 kg	0,55 kg	0,8 kg	0,4 kg	0,5 kg	0,8 kg
Jumbo frame	2 kB		3 kB	10 kB		
Funzioni supportate / Supported functions	Auto-MDX/MIDX, Flow control, Storm Control, Port-Isolation, Remote PD Reset	Auto-MDX/MIDX	Auto-MDX/MIDX	Auto-MDX/MIDX, Flow control, Storm Control, LFP or Remote PD Reset, Port-Isolation, Reset	Auto-MDX/MIDX, Flow control, WatchDog, Port Isolation	Auto-MDX/MIDX
Temperatura operativa / Operating temperature	-30/+75 C°					
Umidità relativa / Relative humidity	5% ~ 90%					
Raffreddamento / Cooling	Senza ventola, raffreddamento naturale / Fanless natural cooling					
Conforme / Compliance	EN55032					
Protezione da sovratensioni / Overvoltage protection	IEC 61000-4-5 Level X (6 kV/ 6 kV 8/20 µs)			IEC 61000-4-5 Level 3 (4 kV/2 kV 8/20 µs)	IEC 61000-4-5 Level X (6 kV/ 6 kV 8/20 µs)	IEC 61000-4-5 Level 3 (4 kV/2 kV 8/20 µs)
Protezione da sovratensioni porta Ethernet / Ethernet port overvoltage protection	IEC 61000-4-5 Level X (4 kV/ 4 kV 10/700 µs)			IEC 61000-4-5 Level 3 (4 kV/2 kV 10/700 µs)	IEC 61000-4-5 Level X (4 kV/ 4 kV 10/700 µs)	IEC 61000-4-5 Level 3 (4 kV/2 kV 10/700 µs)
ESD	IEC 61000-4-2 Level 4 8K/15K					
Certificazioni / Certifications	CE / RoHS / FCC					

Dimensioni [mm] / Dimensions

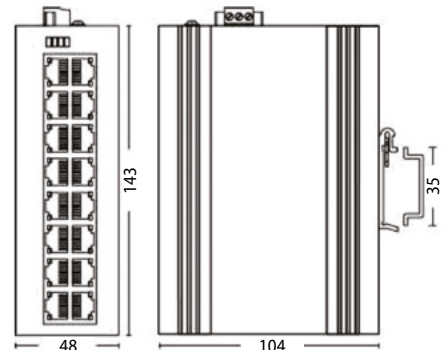
ESN5010 - 5*10/100 base-T
ESN5100 - 5*10/100/1000 base-T



ESN8010 - 8*10/100 base-T
ESN8100 - 8*10/100/1000 base-T



ESN16100 - 16*10/100 base-T
ESN16100 - 16*10/100/1000 base-T



Configurazione / Configuration



ESN5010-DIP Switch	
1 LFP	Reserve
2 LGY	LEGACY (Standard & Non-standard PoE)
3 VLAN	Port Isolation
4 BSR	Storm Control Configuration

ESN5100-DIP Switch	
1 LFP	LFP/ Remote PD Reset
2 LGY	LEGACY (Standard & Non-standard PoE)
3 VLAN	Port Isolation
4 RST	Reset

ESN8100-DIP Switch	
1 LFP	Reserve
2 LGY	Reserve
3 VLAN	Port Isolation
4 RST	Reset

Cavi di connessione dati RJ45

Data Connection Cables



- Cavo Ethernet, RJ45 Maschio diritto - RJ45 maschio diritto
- Categoria 6A - Standard 10GBASE-T (velocità 10 Gbit, frequenza 500 MHz)
- 8 poli con contatti dorati
- Conduttore 100% Rame - 4x 2x AWG26
- Cavo schermato S/FTP (doppia schermatura)
- Guaina LSOH (Low Smoke zero Halogen) per uso industriale
- Diametro esterno 6,2 mm
- Altre versioni e lunghezze su richiesta
- Certificazione UL (solo su versione blu)

- Ethernet cable, RJ45 Male straight - RJ45 male straight
- Category 6A - Standard 10GBASE-T (10 Gbit speed, 500 MHz frequency)
- 8 poles with gold contacts
- Conductor 100% Copper - 4 x 2 x AWG26
- S / FTP shielded cable (double shielded)
- LSOH sheath (Low Smoke zero Halogen) for industrial use
- External diameter 6,2 mm
- Other versions and lengths on request
- UL certification (only blu version)



DESCRIZIONE Description	Lunghezza Length	Codice Code	Colore Color
Cavo ethernet RJ45/RJ45 8 pin Cat.6A Schermatura S/FTP	0,5 m	3290700700	Blu / Blue
	1 m	3290700701	
	2 m	3290700702	
Ethernet cable RJ45/RJ45 8 pin Cat.6A S/FTP shielding	0,3 m	3290700803	Verde / Green
	0,5 m	3290700805	
	1,0 m	3290700810	
	2,0 m	3290700820	
	3,0 m	3290700830	
	5,0 m	3290700850	