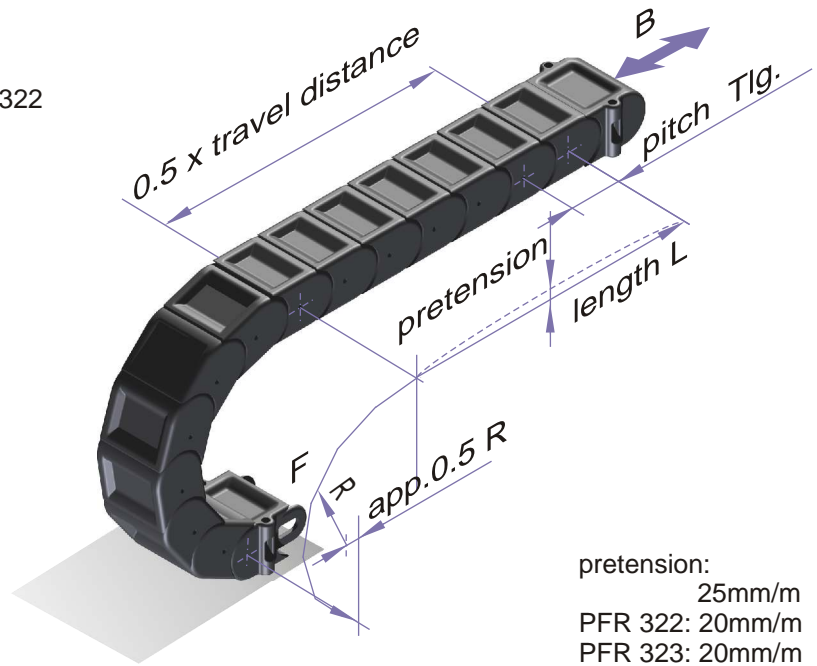
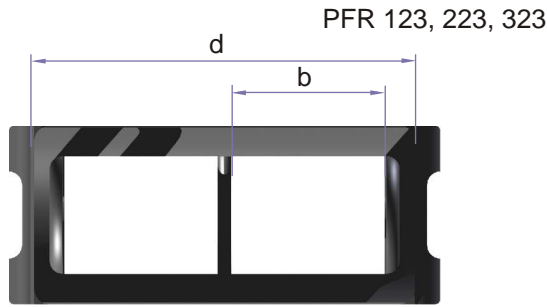
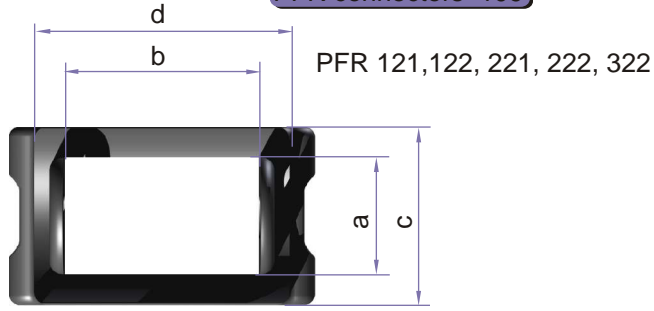


## PFR

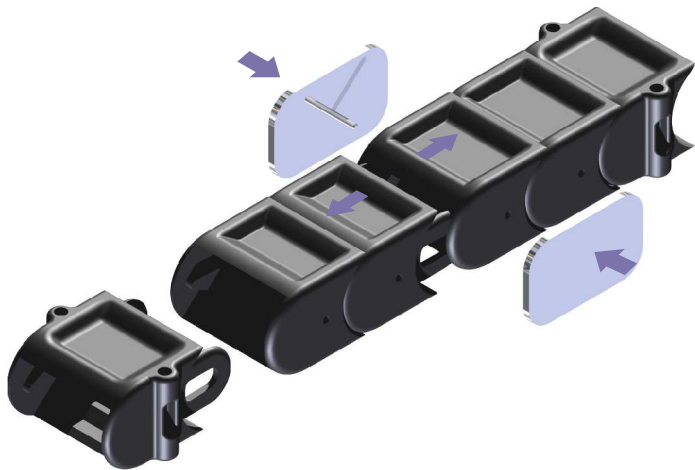
PFR dimensions 108

PFR connectors 109



pretension:  
25mm/m  
PFR 322: 20mm/m  
PFR 323: 20mm/m

PFR	radius	pitch	a	b	c	d	f	g	h	i	k	k <sub>N</sub>	p	p <sub>N</sub>	w	weight kg/m
121	75 / 150	35	23	23	35	35	6	0	5,1	9	5,5	61	25	61	20	0,7
122	75 / 150	35	23	38	35	50	6	20	5,1	9	5,5	56	25	61	20	1,2
123	75 / 150	35	23	30	35	75	6	45	5,1	9	5,5	56	25	61	20	1,5
221	100 / 200	50	34	36	50	50	8	20	6,1	11,5	5,5	56	40	76	25	1,6
222	100 / 200	50	34	86	50	100	8	70	6,1	11,5	5,5	56	40	76	25	2,1
223	100 / 200	50	34	66	50	150	8	120	6,1	11,5	5,5	56	40	76	25	2,8
322	150 / 300	65	57	134	75	150	10	120	8,1	15	5,5	56	65	101	35	3,2
323	150 / 300	65	57	103	75	225	10	195	8,1	15	5,5	56	65	101	35	4,6



## Dismantling PFR

The pins (3x12mm) of the dismantling tools are inserted into the provided openings, dismantling tools compress and pull apart the carrier.

order example: travel 3 m, bend radius 200 mm, plastic connectors, arrangement hanging

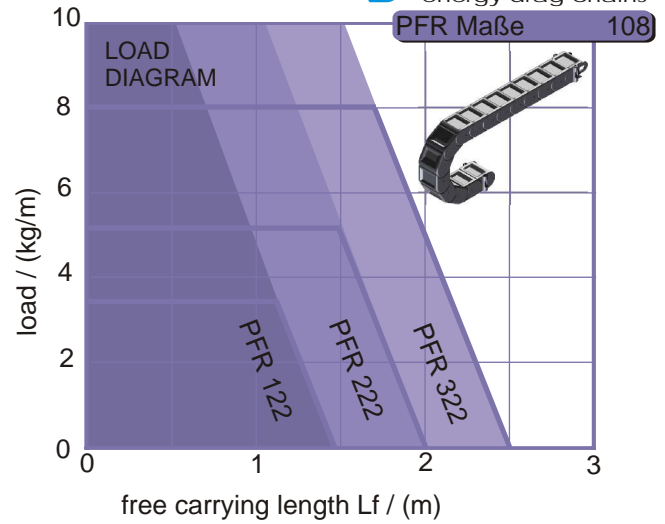
PFR 222 / 200 x 2300 / K K / h

type / radius x length / connectors / arrangement

## PFR characteristics

The plastic tube PFR is a closed design with excellent protection from dirt and damage caused by chips or the like. In the types PFR 123, 223 and 323 the cables are kept in two separate chambers.

PFR with metallic finish is a ekd specialty that mainly occurs in applications with hot chips and sparks. Due to the high surface temperature conductivity and scratch resistance there are no limits for this surface coating. In addition this type has an exceptionally high quality look with the shiny metallic surface.

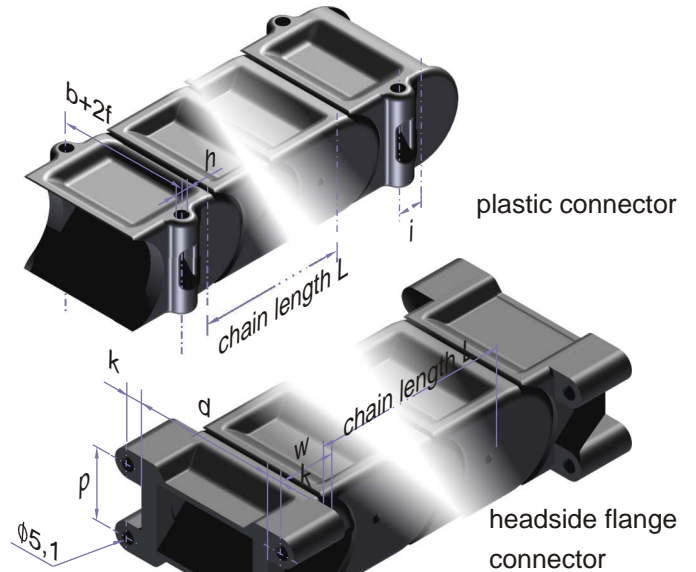


## Plastic connector PFR

The plastic end connector can be installed at any point in the chain, whereby a portion of the tube can serve as a static line.

Order example: plastic connector on both sides

PFR 121 / 75 x 1505 / KK  
type / radius x length / connectors

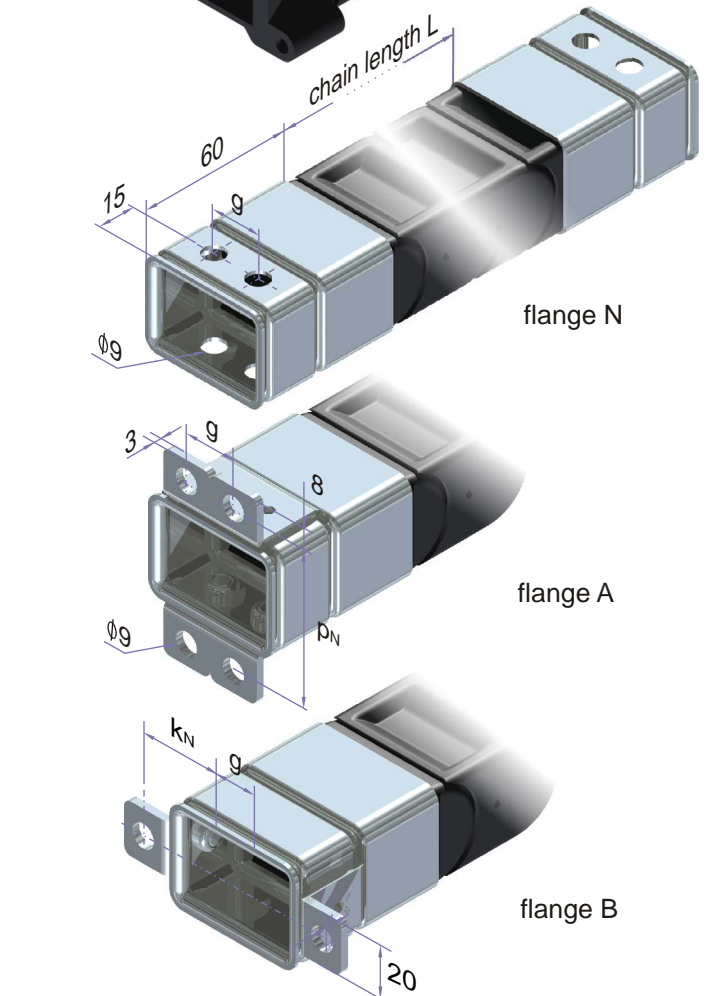


## Headside flange connector PFR

The headside bracket is used for assembly on top or front of the machine. A combination of frontal and end connection is possible.

Order example: plastic connector and headside flange

PFR 121 / 75 x 1505 / KSFA  
type / radius x length / connectors



## Normal flange (steel) brackets

Normal flanges made of steel can be supplied on request.

Ordering example: N flange and flange A

PFR 121 / 75 x 1505 / NA  
type / radius x length / connectors

