



DES 24 CLEAN



Divisible frame "Hygienic Design" for cables
with and without connectors

FEATURES

- Easily to wash
- Frame screws in AISI304
- IP66 certified with all configurations of grommets
- Strain relief according to EN 62444
- Without screw seats and sharp corners
- Overmolded gasket
- Installation with threaded inserts



The DES 24 CLEAN divisible frame consists of the well-known DES24 divisible frame and an FDA PC mask that fixed onto the frame via overmoulded inserts. Therefore, in the final solution with the rubbers installed, it will not just be a different color but a device that meets the Hygienic design needs of food machines. The absence of sharp corners, screw seats and the ease of cleaning and removing dirt make DES24 Clean an unique solution. The system allows the use of cables with and without connectors with diameters from 2 to 35 mm. The divisible grommets, also produced with FDA certified material, can be freely positioned inside the frame. IP66 or NEMA 4X* protection rating is achieved with any grommets combination.

Material: FDA approved PC, halogens and silicones free

Flammability: UL94-HB

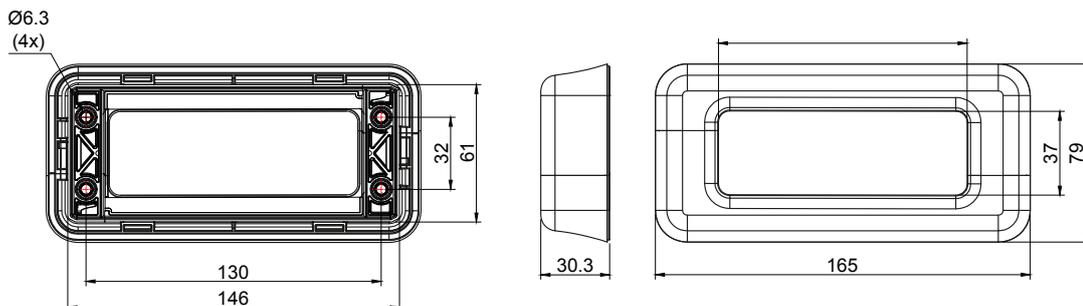
Temperature: -40°C... +80°C

Model	Code	Some possible configurations	Max. cut-out (mm)	Pcs (/pack)
DES 24 CLEAN	1731260024		112 x 39	10

RELATED PRODUCTS

- SPP C grommets (page 69)
- SPG C grommets (page 69)

Dimensions (mm)



* Indoor only

