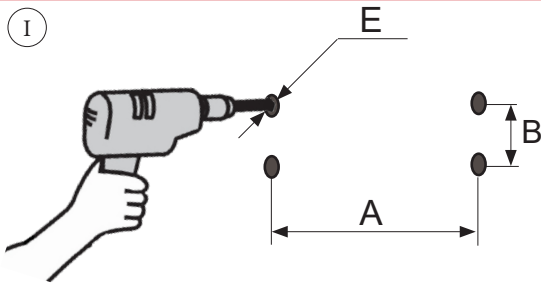
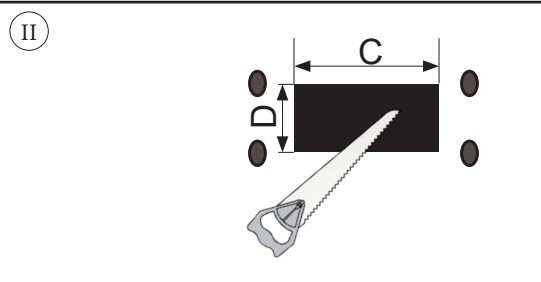


**I**



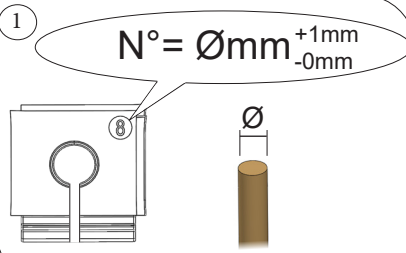
**II**



	A mm	B mm	C ± 0,5mm	D ± 0,5mm	E mm
DES 24 Clean	130	32	114	40	Ø5

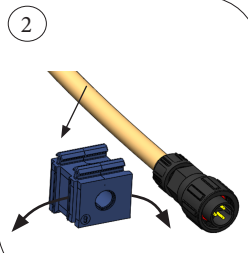
**1**

$N^\circ = \text{Ømm} +1\text{mm} -0\text{mm}$

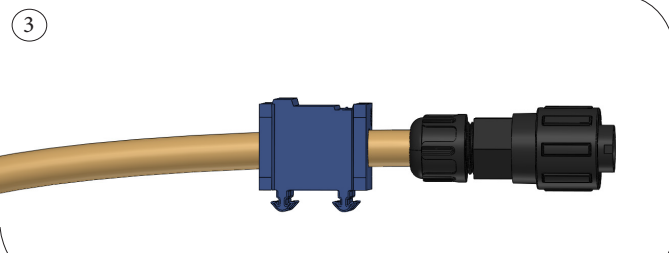


SPP inserts not included

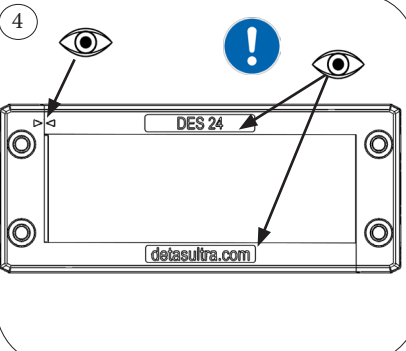
**2**



**3**



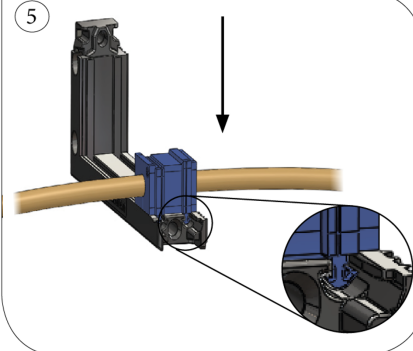
**4**



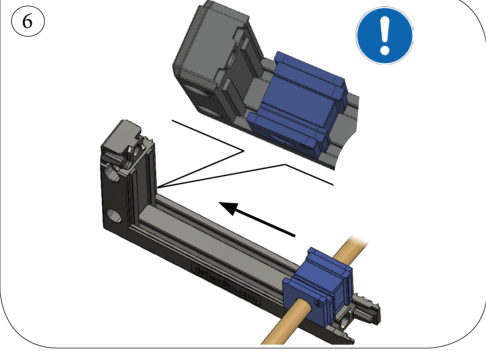
DES 24

detasultra.com

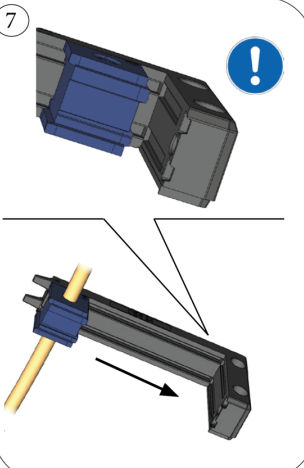
**5**



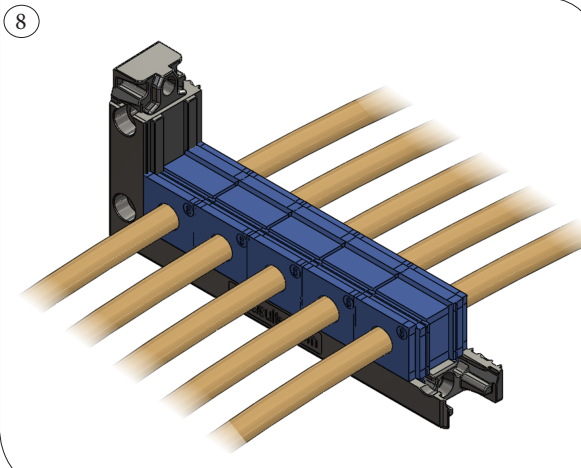
**6**



**7**



**8**



**!**

**OK** **NO**

