



DES 24MX

Modular frames for cables with and without connectors

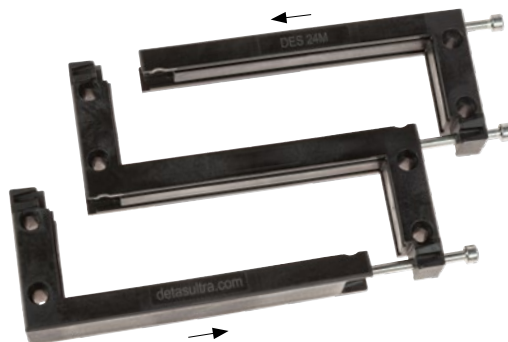
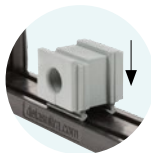
- ▶ Multiple configurations with small and big inserts
- ▶ Frame screws in AISI304 Stainless Steel
- ▶ IP54
- ▶ Strain relief according to EN 62444
- ▶ Sturdy construction IK10
- ▶ External gasket included

Model	Code	Some possible configurations per module	Dimensions L x H [mm]	Cut-out [mm]	Pcs /pack
NEW DES 24MX2	1731010252		146 x 114	114 x 92	1
NEW DES 24MX3	1731010253		146 x 166	114 x 144	
NEW DES 24MX4	1731010254		146 x 218	114 x 196	
NEW DES 24MX5	1731010255		146 x 270	114 x 248	
Upon request:	1731991020	Set of 4 mounting screws in AISI304 with Black Dacromet finishing			

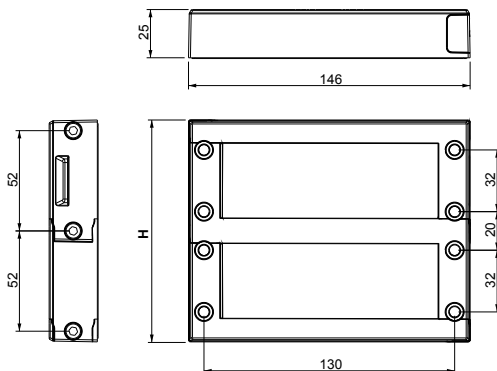


The DES 24MX splittable frames family is a modular solution for installations where a big quantity of cables need to be routed through electrical cabinets walls or machines. This solution is not only modular but it is also a general solution that can be adopted as main cables entrance. Both cables with or without connector can be routed (40 for each module) and future updates can easily be organized in the cheapest and fastest way.

1



Dimensions [mm]



Technical data

Material: PP+GF

Flammability: self-extinguishing acc. to UL94-V0

Temperature: -40°C... +155°C (static)

Features: halogens and silicones free

Related products

- Inserts SPG
- Inserts SPP
- Inserts SPP 2x
- Inserts SPP 4x

