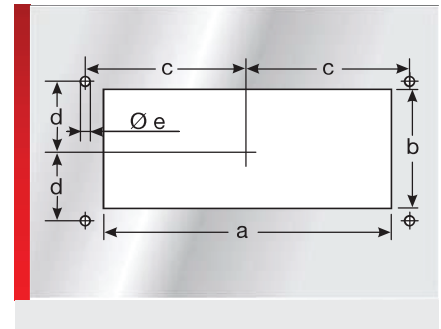
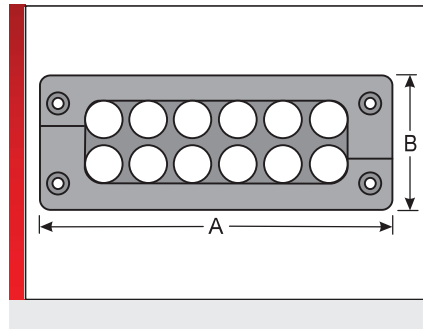
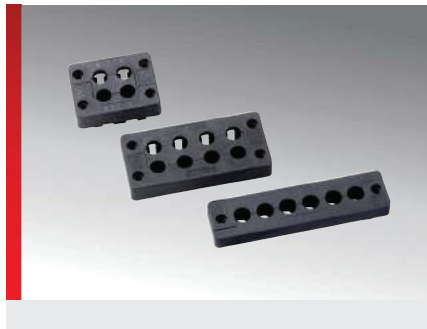


Type KDL/D cable entry system



KDL/C -/D -/H cable entry system

PRODUCT INFORMATION

The KDL/D cable entry system is used for inserting pre-assembled cables. The KDL/D system is a splittable system that enables the quick and simple installation of up to 48 pre-assembled cables with a high packing density in control cabinets and terminal boxes. In addition, the KDL/D system offers a very high protection class and a very robust design.

- Uninterrupted cable guidance
- Easy assembly
- Integrated strain relief
- Fits standard cut-out dimensions
- High protection class IP65
- KDL/D-R M50/4: Cut-out 50.5 mm (round)
- Matching grommet: KDT/X

SPECIFICATIONS

- Frame: Polypropylene (PP)
Block: TPE
- IP 65 (with suitable grommets and cables)
- 30 – 100 °C
- V0

Type	Order No.	Colour	No. Openings Small / medium / large	Pack qty.
For standard cut-out size 24				
KDL/D 24/12	87141010	Black	12 / 0 / 0	1
KDL/D 24/9	87141022	Black	8 / 1 / 0	1
KDL/D 24/8	87141018	Black	6 / 2 / 0	1
KDL/D 24/4	87141014	Black	0 / 4 / 0	1
KDL/D 24/3	87141013	Black	0 / 1 / 2	1
For standard cut-out size 16				
KDL/D 16/8	87141026	Black	8 / 0 / 0	1
KDL/D 16/7	87141030	Black	6 / 1 / 0	1
KDL/D 16/2	87141033	Black	0 / 0 / 2	1
KDL/D 16/3	87141034	Black	0 / 3 / 0	1
For standard cut-out size 10				
KDL/D 10/6	87141038	Black	6 / 0 / 0	1
KDL/D 10/5	87141042	Black	4 / 1 / 0	1
KDL/D 10/2	87141039	Black	0 / 2 / 0	1
For standard cut-out size 6				
KDL/D 6/4	87141044	Black	4 / 0 / 0	1
special size				
KDL/D 1/6	87141048	Black	6 / 0 / 0	1
KDL/D-R M50/4	87141002	Black	4 / 0 / 0	1

Type KDL/D cable entry system

KDL/C -/D -/H cable entry system

DIMENSION TABLE

Type	Order No.	Installation height (EH) mm	A mm	B mm	a mm	b mm	c mm	d mm	e mm
For standard cut-out size 24									
KDL/D 24/12	87141010	18.00	148.00	58.00	112.00	36.00	65.00	16.00	5.50
KDL/D 24/9	87141022	18.00	148.00	58.00	112.00	36.00	65.00	16.00	5.50
KDL/D 24/8	87141018	18.00	148.00	58.00	112.00	36.00	65.00	16.00	5.50
KDL/D 24/4	87141014	18.00	148.00	58.00	112.00	36.00	65.00	16.00	5.50
KDL/D 24/3	87141013	18.00	148.00	58.00	112.00	36.00	65.00	16.00	5.50
For standard cut-out size 16									
KDL/D 16/8	87141026	18.00	121.00	58.00	86.00	36.00	51.50	16.00	5.50
KDL/D 16/7	87141030	18.00	121.00	58.00	86.00	36.00	51.50	16.00	5.50
KDL/D 16/2	87141033	18.00	121.00	58.00	86.00	36.00	51.50	16.00	5.50
KDL/D 16/3	87141034	18.00	121.00	58.00	86.00	36.00	51.50	16.00	5.50
For standard cut-out size 10									
KDL/D 10/6	87141038	18.00	101.00	58.00	65.00	36.00	41.50	16.00	5.50
KDL/D 10/5	87141042	18.00	101.00	58.00	65.00	36.00	41.50	16.00	5.50
KDL/D 10/2	87141039	18.00	101.00	58.00	65.00	36.00	41.50	16.00	5.50
For standard cut-out size 6									
KDL/D 6/4	87141044	18.00	74.00	58.00	46.00	36.00	29.00	16.00	5.50
special size									
KDL/D 1/6	87141048	18.00	148.00	38.00	112.00	17.00	65.00	16.00	5.50
KDL/D-R M50/4	87141002	18.00	62.00	62.00			23.00	23.00	5.50

MATERIAL PROPERTIES

 Frame: Polypropylene (PP)
Block: TPE

MECHANICAL PROPERTIES

 **Protection class**
IP 65 (with suitable grommets and cables)

KDL/C, KDL/D and KDL/H cable entry system

Type KDL/D cable entry system

THERMAL PROPERTIES

 Temperature / temperature range
-30 – 100 °C

FIRE BEHAVIOUR

 Fire classification
V0

APPROVALS AND OPERATING PERMITS

 cURus approval

TECHNICAL INFORMATION

 LABS free

 UV-resistant

CONFORMITY

 RoHS (EC Directive 2002/95/EC)

GENERAL INFORMATION

 Made in Germany

M. Buttkereit Ltd
Unit 2, Britannia Rd Ind Est
Sale, Cheshire, M33 2AA
Tel. 0161 969 5418
Fax. 0161 969 5419
email. info@buttkereit.co.uk

www.buttkereit.co.uk