



Model	Code	Some possible configurations	Cut-out [mm]	Pcs /pack
DES CLICK 20	1731051020	 	20,5	10
DES CLICK 25	1731051025		25,5	
DES CLICK 32	1731051032		32,5	
DES CLICK 20	1731051320	 	20,5	10
DES CLICK 25	1731051325		25,5	
DES CLICK 32	1731051332		32,5	

Upon request: DDM SUB-D9	1731052032	Special size M32 for SUB-D9	10

Splittable cable gland with locknut

- ▶ Fixing without screws
- ▶ Strain relief according to EN 62444
- ▶ Metric sized
- ▶ Sturdy construction IK10
- ▶ IP54
- ▶ White or black version



DES CLICK is a metric splittable cable gland. DES CLICK works with single and multiple cable inserts from 2 to 16 mm in diameter.

Technical data

Material: PC

Flammability: self-extinguishing acc. to UL94-V0

Temperature: -40°C... +155°C (static)

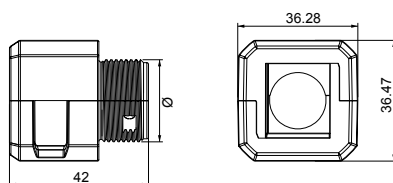
Features: halogens and silicones free

Related products

- Inserts SPP and SPP K
- Inserts SPP 2x
- Inserts SPP 4x

Hydraulic punch driver HY360

Dimensions [mm]

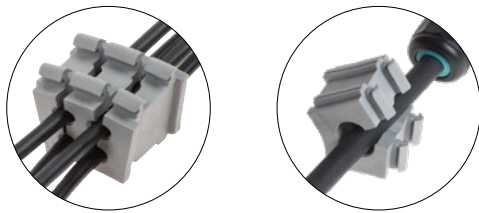




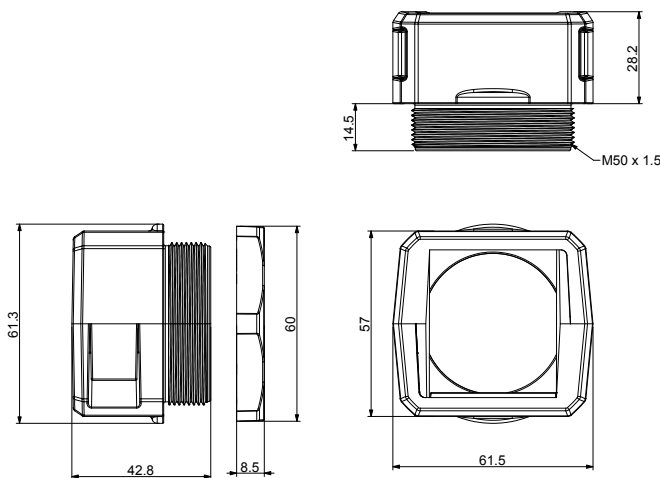
Model	Code	Some possible configurations	Cut-out Ø [mm]	Pcs /pack
DESCCLICK 50B	1731051050		50,5	10
DESCCLICK 50G	1731051350			

Splittable cable gland with locknut

- ▶ Fixing without screws
- ▶ Strain relief according to EN 62444
- ▶ M50 metric sized
- ▶ Sturdy construction IK10
- ▶ IP54



Dimensions [mm]



DESCCLICK is a M50 metric splittable cable gland for cables with and without connectors.

DESCCLICK works with single, big and multiple cable inserts diameters from 2 to 16 mm.

Caratteristiche

Material: PC

Flammability: self-extinguishing acc. to UL94-V0

Temperature: -40°C... +130°C (static)

Features: halogens and silicones free

Related products

- Inserts SPP, SPP K, SPP M, SPP F
- Inserts SPP 2x
- Inserts SPP 4x

Hydraulic punch driver HY360

