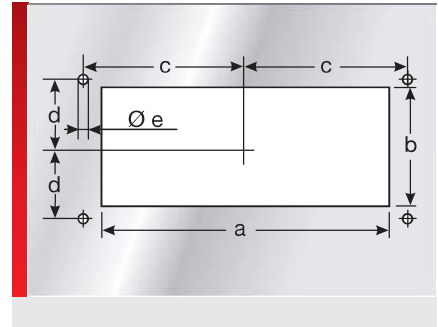
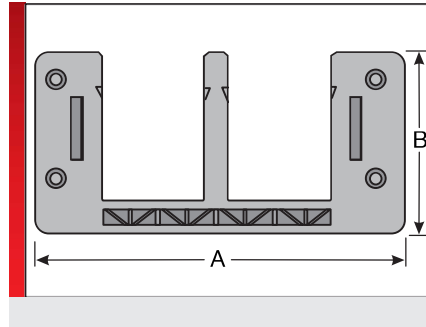


## Cable entry system, type KDL/E



KDL/E cable entry system

### PRODUCT INFORMATION

The KDL/E represents the 3rd generation of Murrplastik cable entry system.

- Even quicker mounting of pre-assembled cables
- Snap in, meaning screwing on is no longer absolutely necessary
- Catch hook for 1.5 – 2.0 mm plate thickness

ness included with delivery, additional catch hooks for up to 4,1 mm plate thickness available

- Fits standard cut-outs for connectors (e.g. Harting, Wieland and Rittal).
- EMC solution with discharge plate, simple realisation
- Matching grommets KDT/xE

### SPECIFICATIONS

	Polyamide 6,6
	IP 54 (with suitable grommets and cables)
	-40 – 80 °C
	V0

Made in Germany

Type	Order No.	Colour	No. of openings small / large	for Ø mm	Pack qty.
<b>For standard cut-out size 16</b>					
KDL/E 16/2 <sup>1)</sup>	87121010	Black	0 / 2	16.00 – 31.00	1
KDL/E 16/4 <sup>1)</sup>	87121011	Black	4 / 0	3.00 – 16.00	1
KDL/E 16/5 <sup>1)</sup>	87121012	Black	4 / 1	3.00 – 31.00	1
KDL/E 16/8 <sup>1)</sup>	87121014	Black	8 / 0	3.00 – 16.00	1
<b>For standard cut-out size 24</b>					
KDL/E 24/4 <sup>2)</sup>	87121016	Black	2 / 2	3.00 – 31.00	1
KDL/E 24/7 <sup>2)</sup>	87121018	Black	6 / 1	3.00 – 31.00	1
KDL/E 24/10 <sup>2)</sup>	87121020	Black	10 / 0	3.00 – 16.00	1

<sup>1)</sup> If catch hooks are used, then the width of the cut-out must be enlarged by 91 mm

<sup>2)</sup> For matching adapter plates or floor plates, see chapter "Accessories for cable entry systems and plates"

### DIMENSION TABLE

Type	Order No.	Installation height mm	A mm	B mm	a mm	b mm	c mm	d mm	e mm
<b>For standard cut-out size 16</b>									
KDL/E 16/2 <sup>1)</sup>	87121010	15.50	116.00	58.00	86.00	36.00	51.50	16.00	5.50
KDL/E 16/4 <sup>1)</sup>	87121011	15.50	116.00	58.00	86.00	36.00	51.50	16.00	5.50
KDL/E 16/5 <sup>1)</sup>	87121012	15.50	116.00	58.00	86.00	36.00	51.50	16.00	5.50

## Cable entry system, type KDL/E

Type	Order No.	Installation height mm	A mm	B mm	a mm	b mm	c mm	d mm	e mm
KDL/E 16/8 <sup>1)</sup>	87121014	15.50	116.00	58.00	86.00	36.00	51.50	16.00	5.50
<b>For standard cut-out size 24</b>									
KDL/E 24/4 <sup>2)</sup>	87121016	15.50	146.00	58.00	112.00	36.00	65.00	16.00	5.50
KDL/E 24/7 <sup>2)</sup>	87121018	15.50	146.00	58.00	112.00	36.00	65.00	16.00	5.50
KDL/E 24/10 <sup>2)</sup>	87121020	15.50	146.00	58.00	112.00	36.00	65.00	16.00	5.50

<sup>1)</sup> If catch hooks are used, then the width of the cut-out must be enlarged by 91 mm

<sup>2)</sup> For matching adapter plates or floor plates, see chapter "Accessories for cable entry systems and plates"

### MATERIAL PROPERTIES



Polyamide 6.6

### MECHANICAL PROPERTIES



**Protection class**

IP 54 (with suitable grommets and cables)

### THERMAL PROPERTIES



**Temperature / temperature range**

-40 – 80 °C

### FIRE BEHAVIOUR



**Fire classification**

V0

### APPROVALS AND OPERATING PERMITS



CSA approval



GL approval



UR approval

### TECHNICAL INFORMATION



LABS free



UV-resistant

### CONFORMITY



RoHS (EC Directive 202/95/EC)

## Cable entry system, type KDL/E

### GENERAL INFORMATION



Made in Germany

M. Buttkereit Ltd  
Unit 2, Britannia Rd Ind Est  
Sale, Cheshire, M33 2AA  
Tel. 0161 969 5418  
e-mail. [info@buttkereit.co.uk](mailto:info@buttkereit.co.uk)

[www.buttkereit.co.uk](http://www.buttkereit.co.uk)

[www.buttkereit.co.uk](http://www.buttkereit.co.uk)