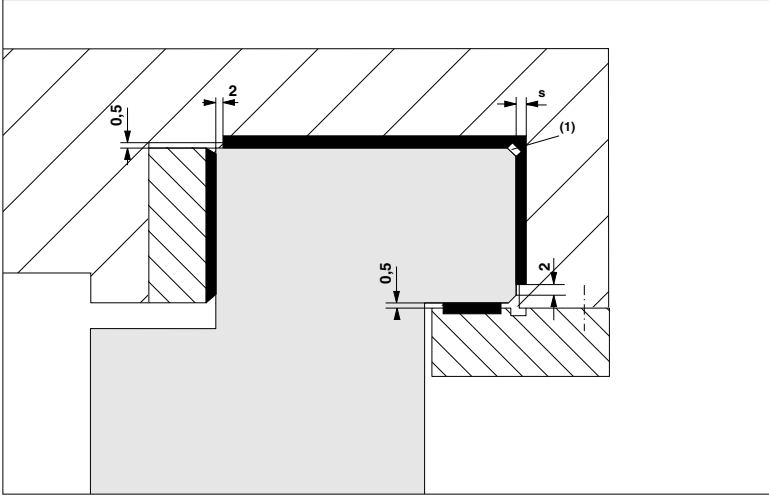


Guidelines for Designing



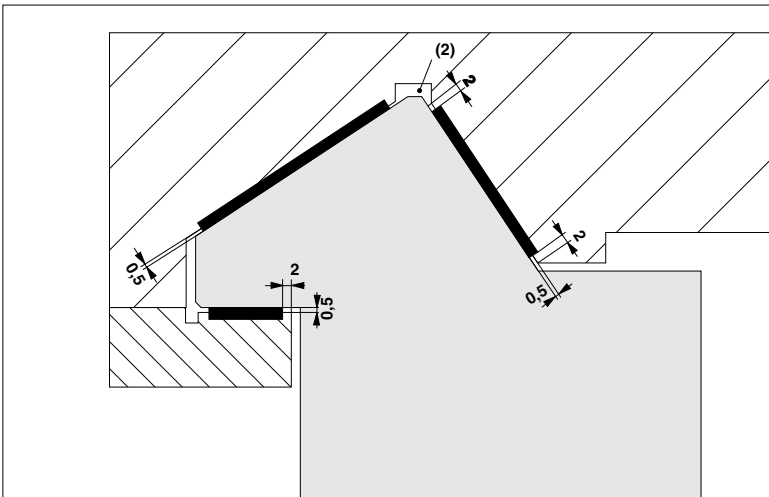
Guidelines for Designing Spatula Method



flat guideway

(1)

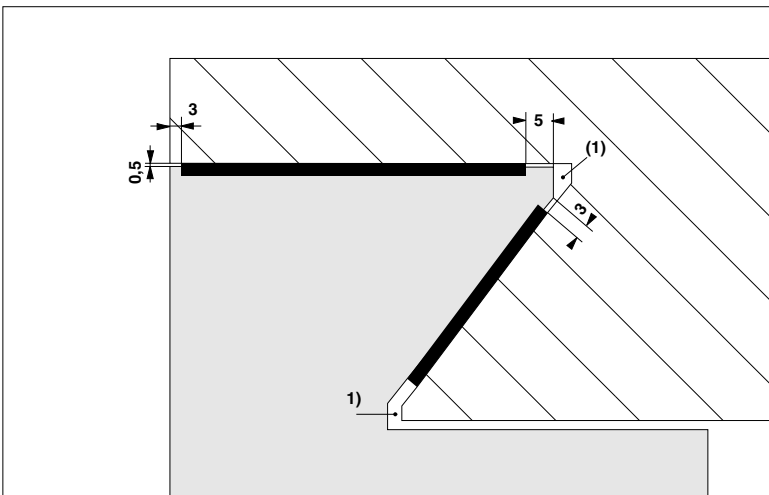
The undercut is provided after moulding by grinding-in (e. g. angular or parting-off grinder). Alternatively, the undercut can be moulded by adhesive tape on the chamfer of the guideway.



prism-type guideway

(2)

Use tesakrepp around the edges of the coated area to easily remove any excess SKC after moulding.



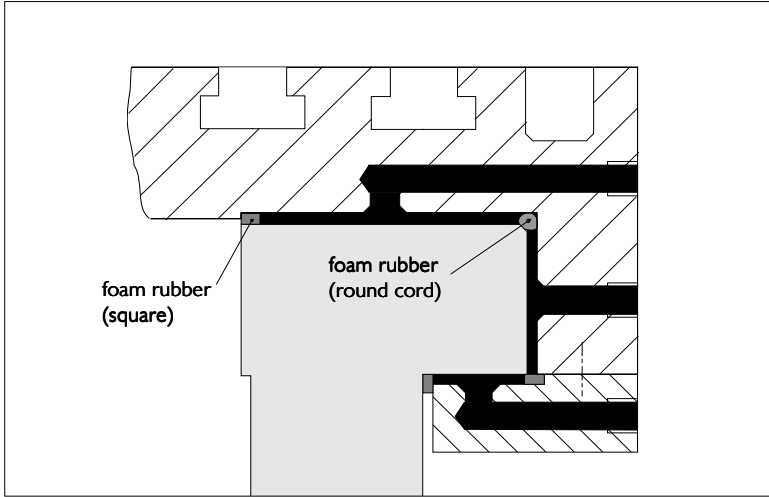
dove-tail guideway

(1)

The undercut is provided after moulding by grinding-in (e. g. angular or parting-off grinder). Alternatively, the undercut can be moulded by adhesive tape on the chamfer of the guideway.

For further information see guidelines for application.

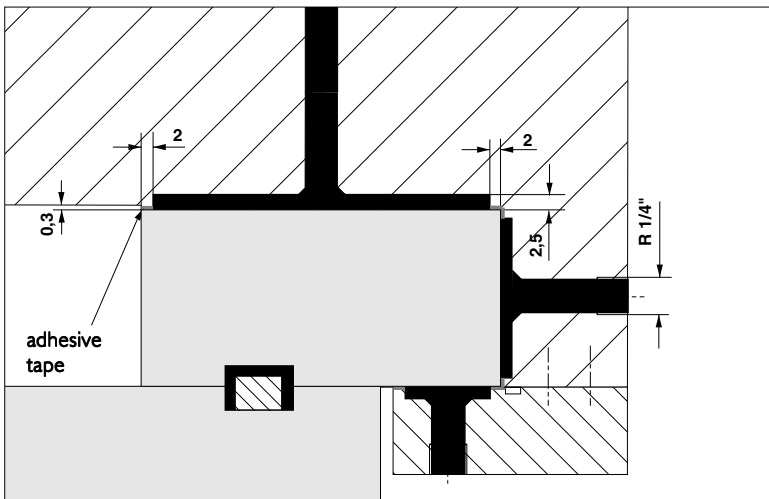
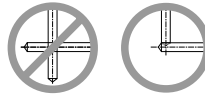
Guidelines for Designing Injection Method



flat guideway

sealing with foam rubber

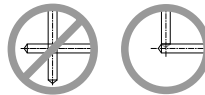
If right angle holes are to be used, blind holes are absolutely to be avoided!



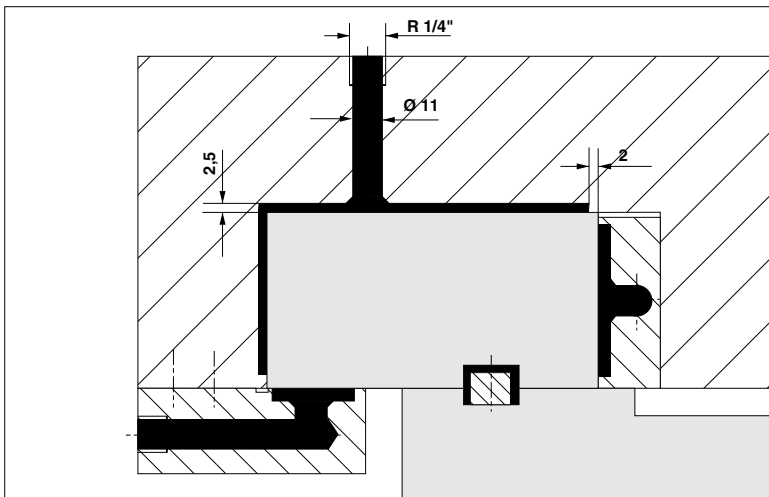
flat guideway

sealing by means of metal bearing surfaces and adhesive tape

If right angle holes are to be used, blind holes are absolutely to be avoided!



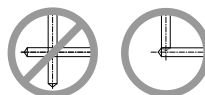
As adhesive tape use linen-reinforced insulating tape or similar (see order details).



flat guideway

sealing by means of metal surfaces

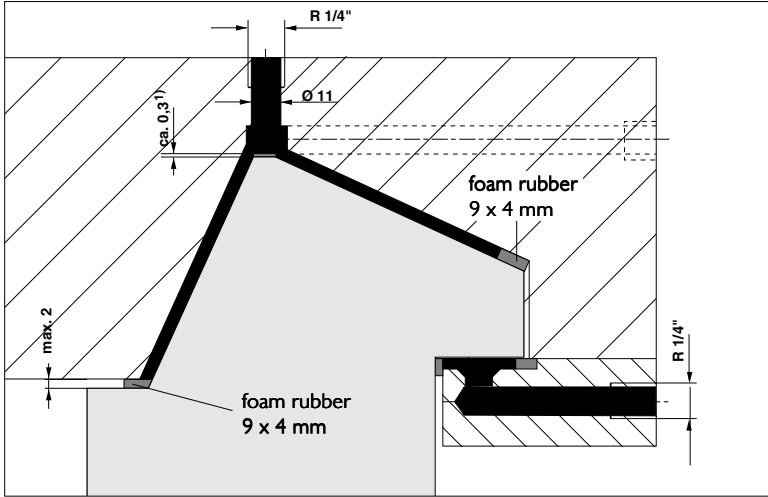
If right angle holes are to be used, blind holes are absolutely to be avoided!



The metal surfaces should be relieved by a minimum of 0.1 mm after moulding.

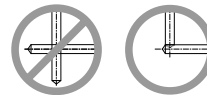
For further information see guidelines for application.

Guidelines for Designing Injection Method

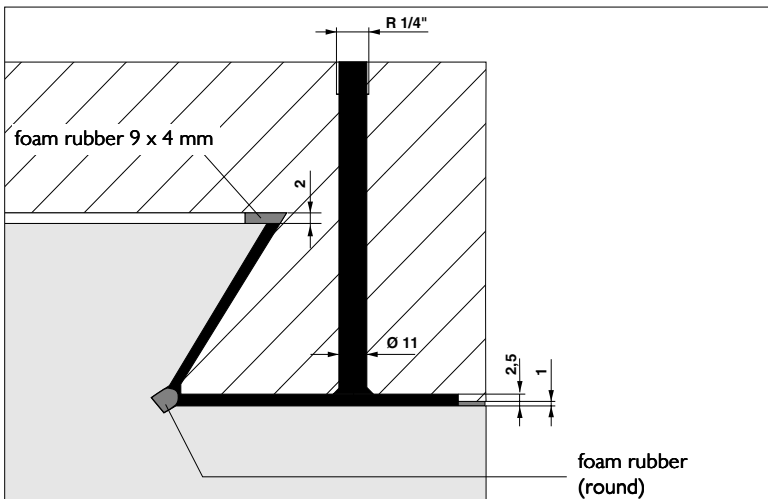


prism-type guideway
sealing with foam rubber

If right angle holes are to be used, blind holes are absolutely to be avoided!

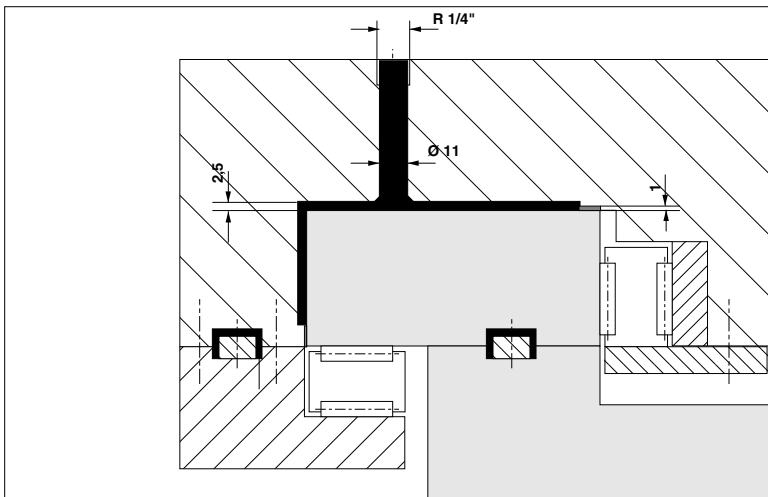
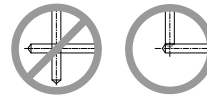


(I)
The undercut is provided after moulding by grinding-in (e. g. angular or parting-off grinder). Alternatively, the undercut can be moulded by adhesive tape on the chamfer of the guideway.



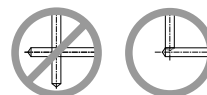
dove-tail guideway
sealing with foam rubber

If right angle holes are to be used, blind holes are absolutely to be avoided!



combined (slideway/roller-type) guideway
sealing with foam rubber 9 x 2 mm

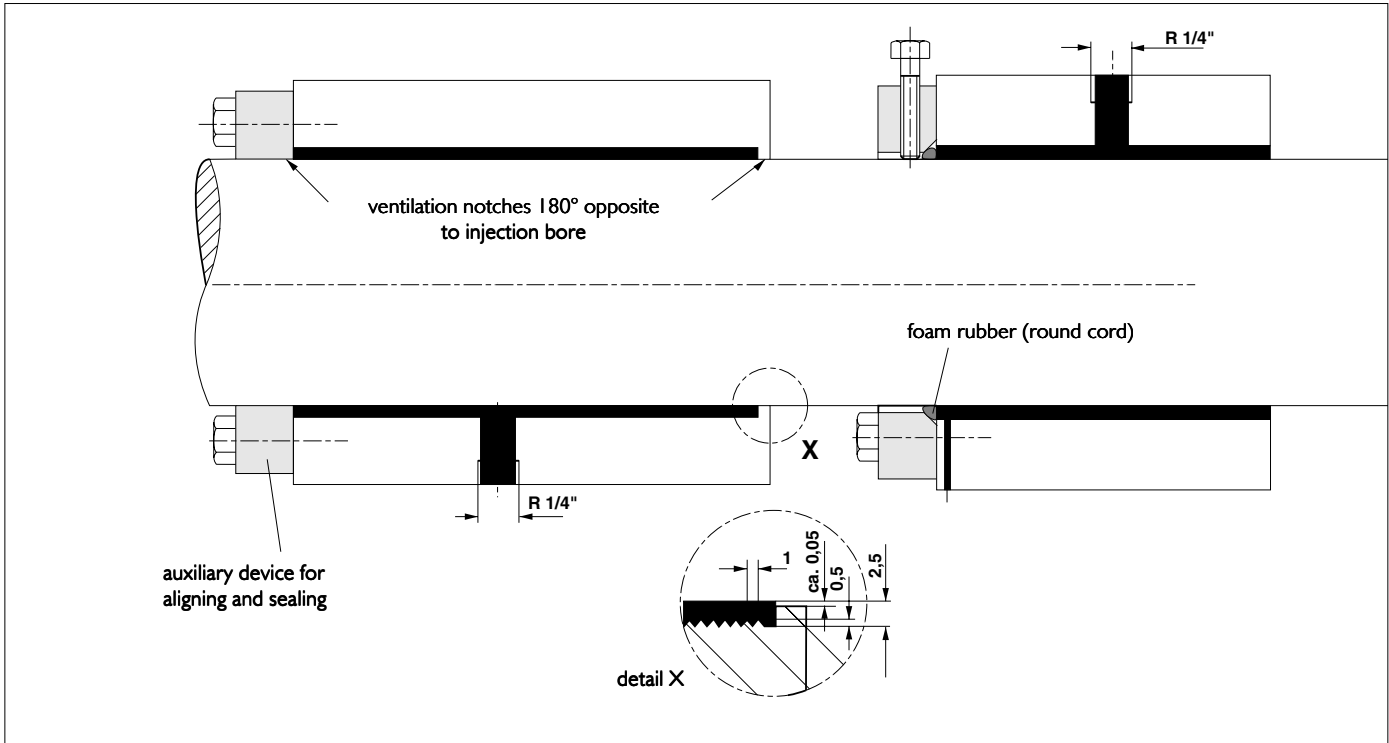
If right angle holes are to be used, blind holes are absolutely to be avoided!



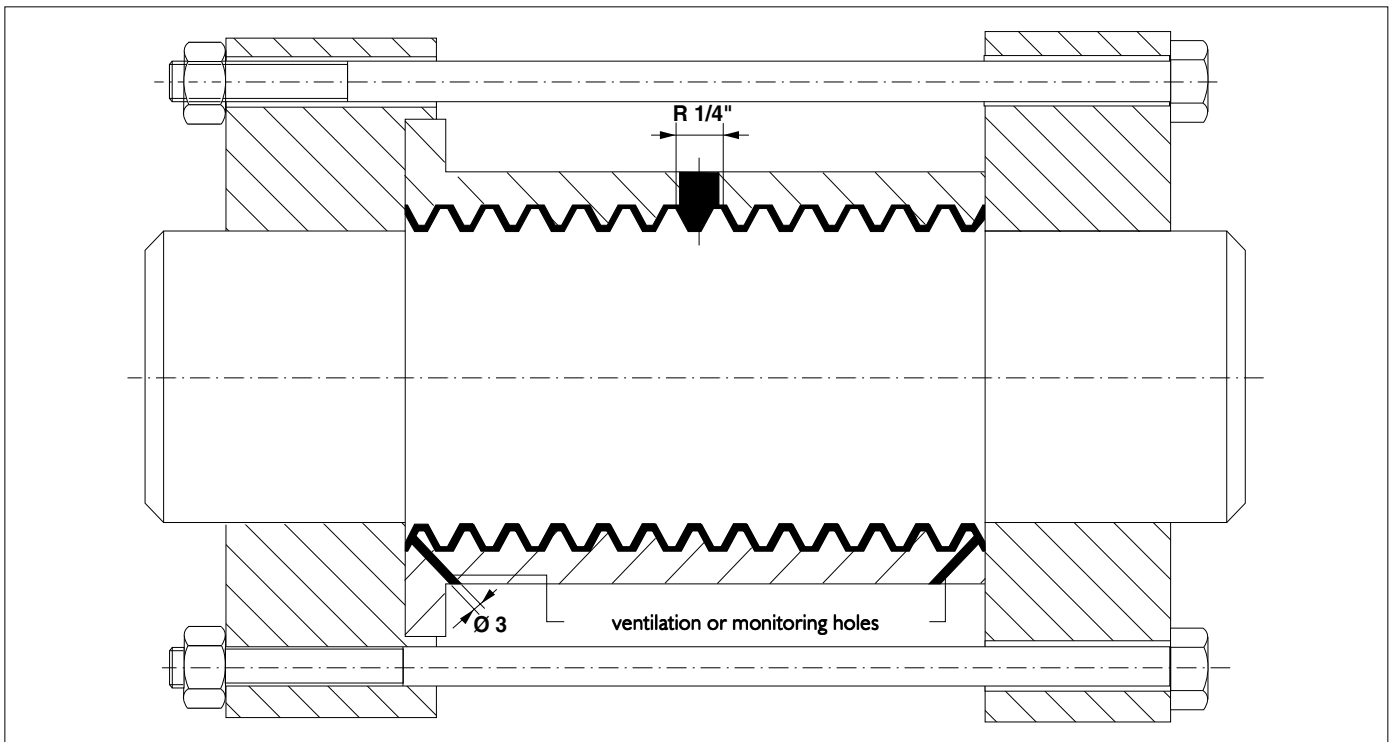
For further information see guidelines for designing.

Guidelines for Designing Injection method

round guideway - fit



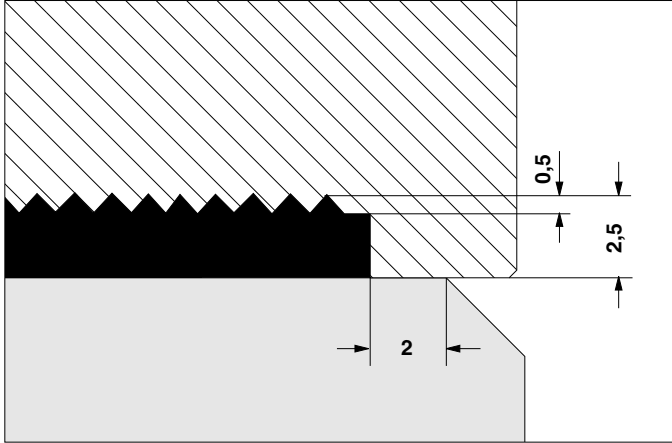
coating of thread / nuts



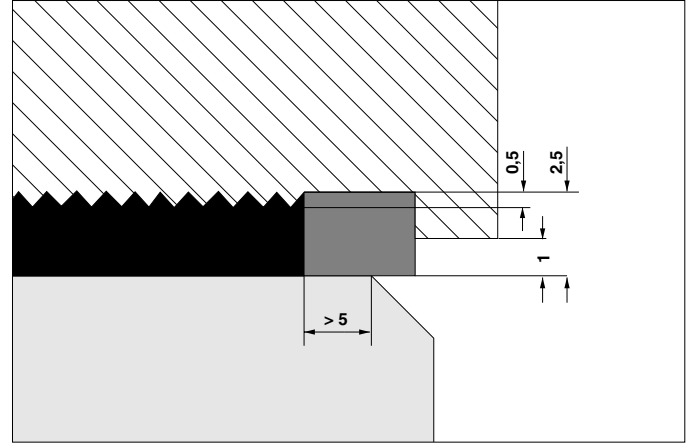
For further information see guidelines for application.

Guidelines for Designing Injection method - Methods of sealing

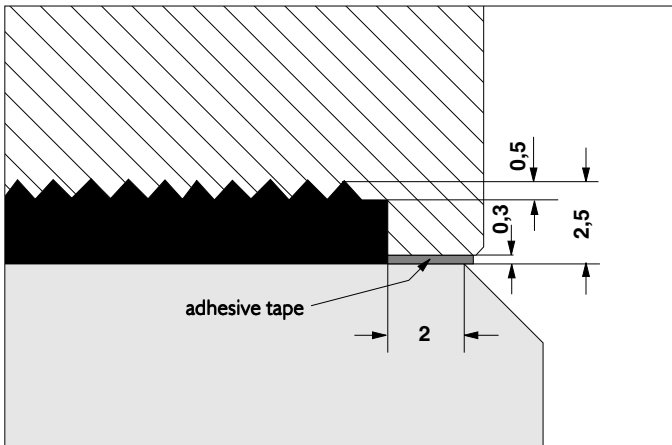
metal bearing edges



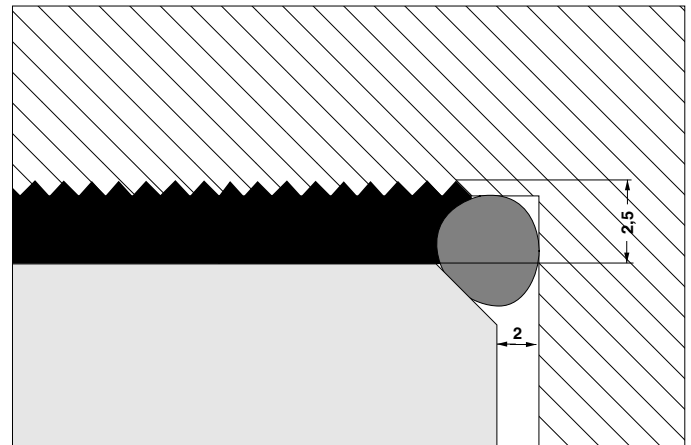
foam rubber 5 x 4 mm (9 x 4 mm)



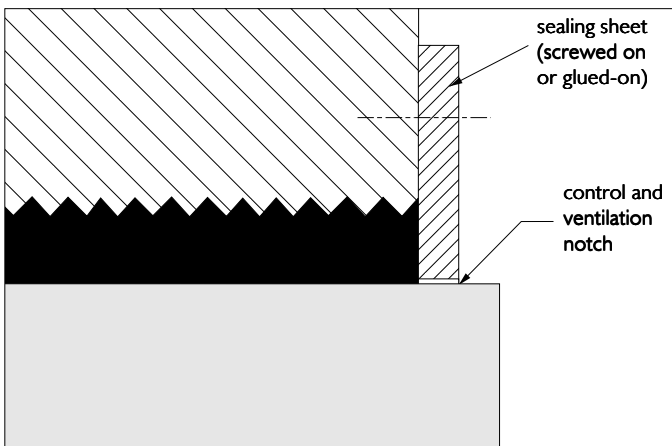
metal bearing edges and adhesive tape



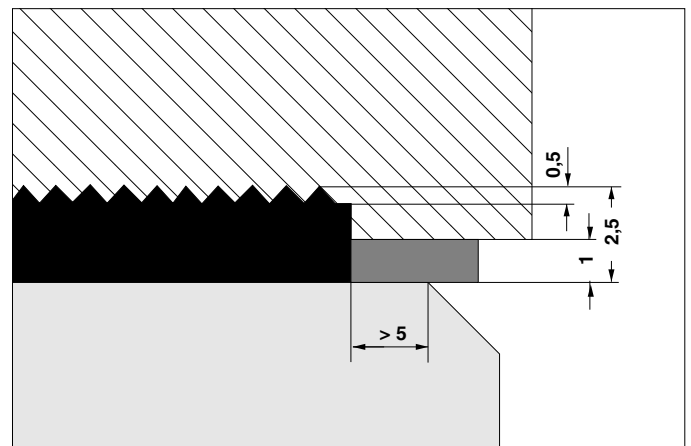
foam rubber (round cord)



front-sided sealing

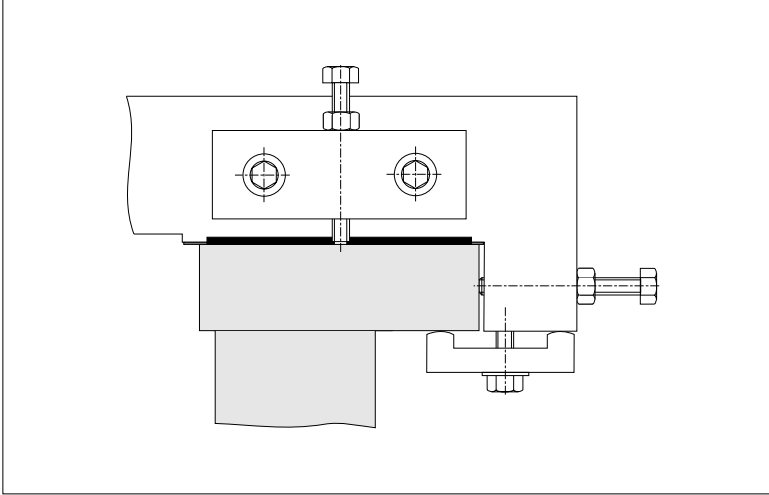


foam rubber 9 x 2 mm



For further information see guidelines for application and accessories (foam rubber).

Guidelines for Designing Auxiliary devices

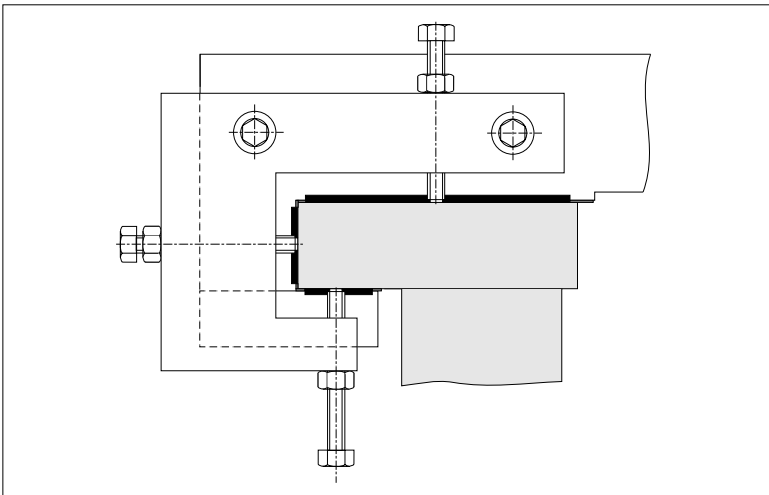


forming of flat guideways (spatula / injection method)

Auxiliary device and setting screw (with fine thread) to align the parts.

The parts have to be fixed during the injection process, e. g. by means of clamp claws, retainer gibs or similar.

Attention: When fixing the parts, avoid distortion!

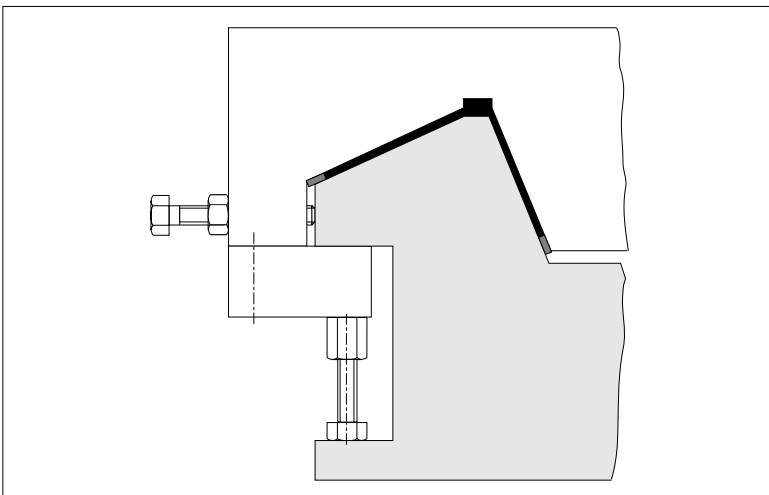


forming of flat guideways (injection method)

Auxiliary device and setting screw (with fine thread) to align the parts.

The parts have to be fixed during the injection process, e. g. by means of clamp claws, retainer gibs or similar.

Attention: When fixing the parts, avoid distortion!



forming prismatic guideways (injection method)

Auxiliary device and setting screw (with fine thread) to align the parts.

The parts have to be fixed during the injection process, e. g. by means of clamp claws, retainer gibs or similar.

Attention: When fixing the parts, avoid distortion!