

# 5

## CONFiX Cable conduit system



CONFiX FWS

CONFiX SH

CONFiX WST

The 90° angled conduit fitting CONFiX FWS is perfect for installation of parallel corrugated cable protection conduits, e.g. in machines, control panels or control cabinets. The liftable cover is tightly fixed by a hinge to the mounting box. Therefore, the system is very easy to handle.

Corrugated conduits CONFiX WS for cable routing are used where cables have to be protected from mechanical damage or certain weather conditions.

In addition, icotek offers split corrugated conduits CONFiX WST for routing pre-terminated cables and corresponding conduit clips CONFiX SH.

### CONFiX FWS Assembly

Installation of CONFiX FWS is quick and easy:

1. Use top screw(s) to mount the FWS
2. Insert conduit
3. Secure and complete installation with two side screws



1

Fix



2

Insert



3

Lock

### Advantages & benefits ...

#### 1. Fast and easy assembly

The liftable cover of the bulkhead fitting CONFiX FWS is tightly fixed by a hinge to the mounting box. The system is therefore very easy to mount.

#### 2. Easy to maintain

The split version of the corrugated conduits CONFiX WST offers the possibility of routing standard or pre-terminated cables in harsh environments.

#### 3. Flexible

The corrugated conduits CONFiX WS can be used for various applications, depending on the material. UV resistant polyamide conduits for high mechanical requirements (indoor and outdoor use), polypropylene conduits with high resistance against acids / alkalis.

## Product group 5

CONFiX Cable conduit system

### Chapter content



**Bulkhead fittings, split** | IP54  
for conduit screw connections /  
direct conduit pickup

CONFiX FWS

134 - 135



**Corrugated conduits**  
NW 7.5 - NW 50

CONFiX WS

136 - 137



**Corrugated conduits, split**  
for cables with connectors  
NW 10 - NW 70

CONFiX WST

138



**Conduit clips**  
for split corrugated conduits CONFiX WST

CONFiX SH

139

# CONFIX FWS-A

Bulkhead fittings for conduit screw connections



Metric internal thread for conduit screw connections

## Product description

The 90° angled conduit fitting CONFiX FWS is for installation of parallel corrugated cable protection conduits, e.g. in machines, control panels or control cabinets.

The liftable cover is tightly fixed by a hinge. Therefore, the system is fast and easy to install.

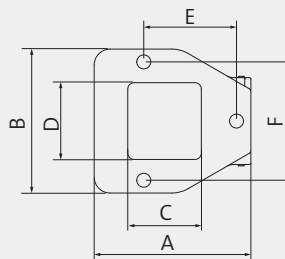
CONFIX FWS is offered in the following versions:

CONFIX FWS-A with metric internal thread M16 to M50

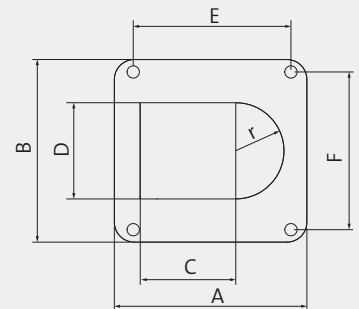
CONFIX FWS-B with a grooved conduit clip for types with sizes NW 13, 17, 23, 29, 37 and 50.

The available colours are grey (RAL 7011) and black (RAL 9005).

Type	Internal Thread	Hole Ø [mm]	Size (A × B) [mm]	Cut-out (C × D) [mm]	Drill. Templ. (E × F) [mm]	Order No.	PU
CONFIX FWS-A 16	M16 × 1.5	3 × 4.3	49 × 45	22 × 22.6	29 × 37	■ 31380 ■ 31381	10
CONFIX FWS-A 20	M20 × 1.5	3 × 4.3	49 × 45	22 × 22.6	29 × 37	■ 31383 ■ 31384	10
CONFIX FWS-A 25	M25 × 1.5	3 × 6.6	67 × 63	37 × 28	41.5 × 51.5	■ 31386 ■ 31387	10
CONFIX FWS-A 32	M32 × 1.5	4 × 6.6	85.5 × 76	41.9 × 40 r = 20	64.5 × 64.5	■ 31389 ■ 31390	10
CONFIX FWS-A 40	M40 × 1.5	4 × 6.6	97 × 92	48.3 × 48.4 r = 24.2	79.5 × 79.5	■ 31392 ■ 31393	5
CONFIX FWS-A 50	M50 × 1.5	4 × 6.6	111.5 × 100.5	53 × 60.5 r = 30.25	87.5 × 87.5	■ 31395 ■ 31396	5



Size / Drilling template FWS-A 16 to 25



Size / Drilling template FWS-A 32 to 50

## Accessories

CONFIX WS conduits 136 - 137

# CONFIX FWS-B

Bulkhead fittings for direct conduit pickup



Grooved conduit clip



Fixed cover due to hinges



Type	Dimension*	Hole Ø [mm]	Size (A x B) [mm]	Cut-out (C x D) [mm]	Drill. Templ. (E x F) [mm]	Order No.	PU
------	------------	-------------	-------------------	----------------------	----------------------------	-----------	----

CONFIX FWS-B 11	NW 13	3 x 4.3	49 x 45	22 x 22.6	29 x 37	■ 31410 ■ 31411	10
CONFIX FWS-B 16	NW 17	3 x 4.3	49 x 45	22 x 22.6	29 x 37	■ 31413 ■ 31414	10
CONFIX FWS-B 21	NW 23	3 x 6.6	67 x 63	37 x 28	41.5 x 51.5	■ 31416 ■ 31417	10
CONFIX FWS-B 29	NW 29	4 x 6.6	85.5 x 76	41.9 x 40 r = 20	64.5 x 64.5	■ 31419 ■ 31420	10
CONFIX FWS-B 36	NW 37	4 x 6.6	97 x 92	48.3 x 48.4 r = 24.2	79.5 x 79.5	■ 31422 ■ 31423	5
CONFIX FWS-B 48	NW 50	4 x 6.6	111.5 x 100.5	53 x 60.5 r = 30.25	87.5 x 87.5	■ 31425 ■ 31426	5

## Advantages & benefits

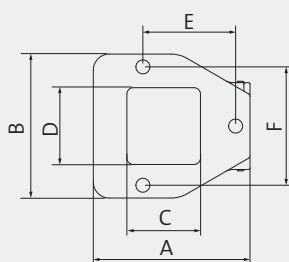
- Hinged cover
- Fast and easy installation
- Functional design
- Protection class IP54

## Specifications

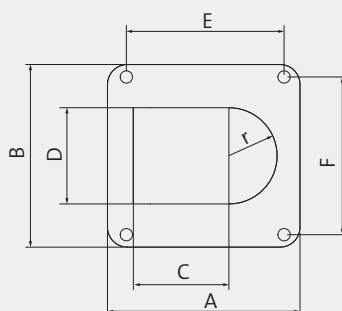
Material	Polycarbonate (PC)
Colour	■ grey (RAL 7011) ■ black (RAL 9005)
IP rating	IP54
Flame class	UL94-Vo, self-extinguishing
Temperature	-30°C to +100°C (static)
Properties	Halogen free, silicone free

## Accessories

CONFIX WS conduits 136 - 137



Size / Drilling template  
FWS-B 11 to 21



Size / Drilling template  
FWS-B 29 to 48

\* For parallel corrugated cable protection conduit with dimension (NW)

# CONFiX WS

## Corrugated conduits



Compatible with CONFiX FWS-B

### Product description

Parallel corrugated conduits for cable routing are used where cables have to be protected from mechanical damage or certain weather conditions.

icotek provides conduits in sizes NW 7,5, 8,5, 10, 13, 17, 23, 29, 37, and 50. Conduits from size NW 13 can be mounted with CONFiX FWS bulkhead fittings.

Parallel corrugated conduits are available in 3 different versions:

- **CONFiX WS-PA:** Polyamide conduit for high mechanical requirements (e.g. engine compartments, car bodies, construction machines, ship building, rail transportation technology, switch cabinets).  
→ Suitable for ground installation
- **CONFiX WS-PAL (light):** Polyamide conduit for high mechanical requirements  
→ Suitable for suspended installation
- **CONFiX WS-PP:** Polypropylene conduit for use in engine compartments, car bodies and for static installation at machinery and plant engineering.  
→ Advantages: Cost-effective, flame class UL94-V2, temperature resistant, resistant to chemicals

Type	External Ø	Internal Ø	Compatible with:	Order No.	PU (Length)
CONFiX WS-G-PA-NW 7,5	Ø 10 mm	Ø 6.7 mm	-	■ 31550	50 m
CONFiX WS-B-PA-NW 7,5	Ø 10 mm	Ø 6.7 mm	-	■ 31570	50 m
CONFiX WS-G-PA-NW 8,5	Ø 11.7 mm	Ø 8.4 mm	-	■ 31552	50 m
CONFiX WS-B-PA-NW 8,5	Ø 11.7 mm	Ø 8.4 mm	-	■ 31572	50 m
CONFiX WS-G-PA-NW 10	Ø 13 mm	Ø 9.9 mm	-	■ 31554	50 m
CONFiX WS-B-PA-NW 10	Ø 13 mm	Ø 9.9 mm	-	■ 31574	50 m
CONFiX WS-G-PA-NW 13	Ø 15.8 mm	Ø 12.7 mm	CONFiX FWS-B 11	■ 31556	50 m
CONFiX WS-B-PA-NW 13	Ø 15.8 mm	Ø 12.7 mm	CONFiX FWS-B 11	■ 31576	50 m
CONFiX WS-G-PA-NW 17	Ø 21.2 mm	Ø 16.6 mm	CONFiX FWS-B 16	■ 31558	50 m
CONFiX WS-B-PA-NW 17	Ø 21.2 mm	Ø 16.6 mm	CONFiX FWS-B 16	■ 31578	50 m
CONFiX WS-G-PA-NW 23	Ø 28.3 mm	Ø 23.2 mm	CONFiX FWS-B 21	■ 31560	50 m
CONFiX WS-B-PA-NW 23	Ø 28.3 mm	Ø 23.2 mm	CONFiX FWS-B 21	■ 31580	50 m
CONFiX WS-G-PA-NW 29	Ø 34.5 mm	Ø 29 mm	CONFiX FWS-B 29	■ 31562	25 m
CONFiX WS-B-PA-NW 29	Ø 34.5 mm	Ø 29 mm	CONFiX FWS-B 29	■ 31582	25 m
CONFiX WS-G-PA-NW 37	Ø 42.4 mm	Ø 36 mm	CONFiX FWS-B 36	■ 31564	25 m
CONFiX WS-B-PA-NW 37	Ø 42.4 mm	Ø 36 mm	CONFiX FWS-B 36	■ 31584	25 m
CONFiX WS-G-PA-NW 50	Ø 54 mm	Ø 47.7 mm	CONFiX FWS-B 48	■ 31566	25 m
CONFiX WS-B-PA-NW 50	Ø 54 mm	Ø 47.7 mm	CONFiX FWS-B 48	■ 31586	25 m

# CONFIX WS

## Corrugated conduits



Type	External Ø	Internal Ø	Compatible with:	Order No.	PU (Length)
CONFIX WS-B-PAL-NW 7,5	Ø 10 mm	Ø 6.7 mm	-	■ 31590	50 m
CONFIX WS-B-PAL-NW 8,5	Ø 11.5 mm	Ø 8.5 mm	-	■ 31592	50 m
CONFIX WS-B-PAL-NW 10	Ø 13.2 mm	Ø 10.1 mm	-	■ 31594	50 m
CONFIX WS-B-PAL-NW 13	Ø 16 mm	Ø 13 mm	CONFIX FWS-B 11	■ 31596	50 m
CONFIX WS-B-PAL-NW 17	Ø 21.2 mm	Ø 17.1 mm	CONFIX FWS-B 16	■ 31598	50 m
CONFIX WS-B-PAL-NW 23	Ø 28.4 mm	Ø 23.5 mm	CONFIX FWS-B 21	■ 31600	50 m
CONFIX WS-B-PAL-NW 29	Ø 34.5 mm	Ø 29.4 mm	CONFIX FWS-B 29	■ 31602	25 m
CONFIX WS-B-PAL-NW 37	Ø 42.2 mm	Ø 36.7 mm	CONFIX FWS-B 36	■ 31604	25 m
CONFIX WS-B-PAL-NW 50	Ø 54 mm	Ø 48.1 mm	CONFIX FWS-B48	■ 31606	25 m
CONFIX WS-B-PP-NW 7,5	Ø 9.9 mm	Ø 6.9 mm	-	■ 31610	50 m
CONFIX WS-B-PP-NW 8,5	Ø 11.6 mm	Ø 8.5 mm	-	■ 31612	50 m
CONFIX WS-B-PP-NW 10	Ø 12.7 mm	Ø 10.1 mm	-	■ 31614	50 m
CONFIX WS-B-PP-NW 13	Ø 15.8 mm	Ø 12.9 mm	CONFIX FWS-B 11	■ 31616	50 m
CONFIX WS-B-PP-NW 17	Ø 21 mm	Ø 16.8 mm	CONFIX FWS-B 16	■ 31618	50 m
CONFIX WS-B-PP-NW 23	Ø 28 mm	Ø 23.7 mm	CONFIX FWS-B 21	■ 31620	50 m
CONFIX WS-B-PP-NW 29	Ø 33.9 mm	Ø 29.3 mm	CONFIX FWS-B 29	■ 31622	25 m
CONFIX WS-B-PP-NW 37	Ø 42 mm	Ø 36.7 mm	CONFIX FWS-B 36	■ 31624	25 m
CONFIX WS-B-PP-NW 50	Ø 53.6 mm	Ø 47.8 mm	CONFIX FWS-B 48	■ 31626	25 m

\* For parallel corrugated cable protection conduit with dimension (NW)

### Specifications WS-PA

Material Polyamide (PA)  
 Colour ■ black  
 ■ grey  
 Flame class UL94-HB  
 Temperature -40°C to +120°C  
 Properties Halogen free, UV resistant, according to EN ISO 8580

### Specifications WS-PAL

Material Polyamide (PA)  
 Colour ■ black  
 Flame class UL94-HB  
 Temperature -40°C to +120°C  
 Properties Halogen free, UV resistant according to EN ISO 8580

### Specifications WS-PP

Material Polypropylene (PP)  
 Colour ■ black  
 Flame class UL94-V2, self-extinguishing  
 Temperature -40°C to +135°C  
 Properties Halogen free, high resistance against acids / alkalis

### Compatible with

CONFIX FWS Bulkhead fitting 134 - 135

# CONFIX WST

## Split corrugated conduits



Individual lengths are possible!

### Product description

The CONFIX WST is a two piece corrugated conduit. Perfect for routing cables with or without connectors in rough environments.

In conjunction with e.g. KVT-W90, a high degree of flexibility is achieved. Numerous conduit sizes can be used thanks to the wide variety of split grommets offered (see KT grommets on pages 44 - 46).

**The length of the CONFIX WST split corrugated conduit can be customized to your application. All conduits are available by the meter (0.5 m steps).**

Type	Order No.	Internal diameter	External diameter	Compatible grommets	Dimensions	Ring length*
CONFIX WST NW 10	31200	8.7 mm	13.6 mm	KT 13 KTRS 13	10 mm	50 m*
CONFIX WST NW 14	31210	12.5 mm	18.5 mm	KT 18	14 mm	50 m*
CONFIX WST NW 20	31220	19.5 mm	25.5 mm	KT 25	20 mm	50 m*
CONFIX WST NW 23	31230	24.2 mm	31 mm	KT 30	23 mm	50 m*
CONFIX WST NW 37	31240	31 mm	41.4 mm	KTMB-P	37 mm	25 m*
CONFIX WST NW 45	31250	42.7 mm	54 mm	KTMB-Q	45 mm	25 m*
CONFIX WST NW 70	31260	66.5 mm	79.8 mm	KTMB-S	70 mm	10 m*

\* All conduits are also available by the metre (0.5 m steps).

### 5 Advantages & benefits

- Containing pre-terminated cables, warranty of cable remains
- Retrofitting and maintenance carried out easily and quickly

### Specifications

Material Polypropylene, black  
 Flame class UL94-HB  
 Temperature - 40°C to + 105°C  
 Properties UV resistant

### Compatible with

CONFIX SH Conduit clip	139
Cable entry systems for pre-terminated cables	8 - 57
Cable entry systems for standard cables	60 - 79





## CONFiX SH

Conduit clips for WST



Type	Order No.	Suitable conduit	Fixing hole	Width [mm]	Height [mm]	PU
------	-----------	------------------	-------------	------------	-------------	----

CONFiX SH 10	31300	NW 10	M3	18.5	21	10
CONFiX SH 14	31310	NW 14	M3	24	25.5	10
CONFiX SH 20	31320	NW 20	M5	35	36	10
CONFiX SH 23	31330	NW 23	M5	42	43.5	10
CONFiX SH 37	31340	NW 37	M6	55	56.5	10
CONFiX SH 45	31350	NW 45	M6	67	68	10
CONFiX SH 70	31360	NW 70	M6	100	101	10

### Product description

CONFiX SH Conduit clips are a one-piece clamping system to provide secure mounting points for corrugated conduit systems.

The clips are secured to their mounting position through a central mounting point with a hexagonal counter-bore.

### Specifications

Material Polyamide (PA), black  
 Flame class UL94-V2, self-extinguishing  
 Temperature - 40°C to + 140°C  
 Properties Halogen free, silicone free

### Compatible with

CONFiX WST  
 Split corrugated conduit 138