

KEL-DPZ round

Cable entry plates



Also available in black.



Membrane on front



Conical shape on back provides additional sealing and strain relief

Type	Order No.	Number of cables	Thread metric	External diameter	Mounting height	PU
------	-----------	------------------	---------------	-------------------	-----------------	----

Product description

KEL-DPZ entry plates are designed to route and seal cables without connectors or fibre optics (from 1.5 mm to 22 mm in diameter) in limited space.

The assembly of the KEL-DPZ round with cables or pneumatic hoses can be done quick and easy. Simply make a small hole in the thin membrane, push the cables through. The KEL-DPZ round provides strain relief and protection IP66 / IP67 / IP68 / NEMA type 4X.

The round versions of the KEL-DPZ series have a thread to fit in metric cut-outs from M32 to M63. Thus cut-outs for metric cable glands can be used.

ST-B Plugs can be used for sealing pierced membranes if cables have been removed.

KEL-DPZ 32 4	<input type="checkbox"/> 43732 <input type="checkbox"/> 50732	3× 3.2 - 6.5 mm 1× 7.2 - 12.5 mm	M32 × 1.5	44 mm	8 mm	10
KEL-DPZ 32 4+2	<input type="checkbox"/> 43733 <input type="checkbox"/> 50733	4× 5 - 9.5 mm	M32 × 1.5	44 mm	8 mm	10
KEL-DPZ 32 7	<input type="checkbox"/> 43734 <input type="checkbox"/> 50734	7× 3.2 - 6.5 mm	M32 × 1.5	44 mm	8 mm	10
KEL-DPZ 40 8	<input type="checkbox"/> 43741 <input type="checkbox"/> 50741	4× 3.2 - 6.5 mm 4× 5 - 10.2 mm	M40 × 1.5	52 mm	8 mm	10
KEL-DPZ 50 8	<input type="checkbox"/> 43750 <input type="checkbox"/> 50750	5× 5 - 10.2 mm 3× 7.2 - 12.5 mm	M50 × 1.5	62 mm	8 mm	10
KEL-DPZ 50 10	<input type="checkbox"/> 43751 <input type="checkbox"/> 50751	7× 3.2 - 6.5 mm 2× 5 - 10.2 mm 1× 16 - 22.2 mm	M50 × 1.5	62 mm	8 mm	10
KEL-DPZ 50 12	<input type="checkbox"/> 43752 <input type="checkbox"/> 50752	4× 3.2 - 6.5 mm 8× 5 - 10.2 mm	M50 × 1.5	62 mm	8 mm	10

* Only valid for grey product types



KEL-DPZ round Cable entry plates



Type	Order No.	Number of cables	Thread metric	External diameter	Mounting height	PU
------	-----------	------------------	---------------	-------------------	-----------------	----

KEL-DPZ 50 19	<input type="checkbox"/> 43758 <input checked="" type="checkbox"/> 50758	19x 3.2 - 6.5 mm	M50 x 1.5	62 mm	8 mm	10
KEL-DPZ 50 78	<input type="checkbox"/> 43756 <input checked="" type="checkbox"/> 50756	76x 1.5 - 2.6 mm 2x 2.5 - 5 mm	M50 x 1.5	62 mm	8 mm	10
KEL-DPZ 63 9	<input type="checkbox"/> 43760 <input checked="" type="checkbox"/> 50760	1x 3.2 - 6.5 mm 3x 5 - 10.2 mm 4x 9 - 16.2 mm 1x 16 - 22.2 mm	M63 x 1.5	75 mm	8 mm	10
KEL-DPZ 63 13	<input type="checkbox"/> 43761 <input checked="" type="checkbox"/> 50761	4x 3.2 - 6.5 mm 4x 5 - 10.2 mm 5x 9 - 16.2 mm	M63 x 1.5	75 mm	8 mm	10
KEL-DPZ 63 14	<input type="checkbox"/> 43762 <input checked="" type="checkbox"/> 50762	14x 5 - 10.2 mm	M63 x 1.5	75 mm	8 mm	10
KEL-DPZ 63 35	<input type="checkbox"/> 43763 <input checked="" type="checkbox"/> 50763	35x 3.2 - 6.5 mm	M63 x 1.5	75 mm	8 mm	10

Advantages & benefits

- Quick and easy tool-free assembly
- High cable density
- Automatic sealing and strain relief for the cable
- Suitable for metric cut-outs
- Polyamide locknuts are included in the shipment
- Dual sealing of cables according to IP66 / IP67 / IP68 / up to NEMA type 4X
- Hygienic design - free of dirt-collecting recesses

Specifications

Material	Thread frame: Polyamide (PA)
	Sealing plate: Elastomer
Colour	<input type="checkbox"/> grey (similar RAL 7035) <input checked="" type="checkbox"/> black
Flame class	UL94-Vo, self-extinguishing
IP rating	IP66/IP67/IP68 (certified acc. to EN 60529)
NEMA type rating	NEMA type 4X (acc. to UL 50E)
Temperature	- 40°C to + 90°C (static)
Properties	Halogen-free, silicone-free
Cut-out dim.	Metric sizes
Thread length	14 mm
Plate depth	8 mm

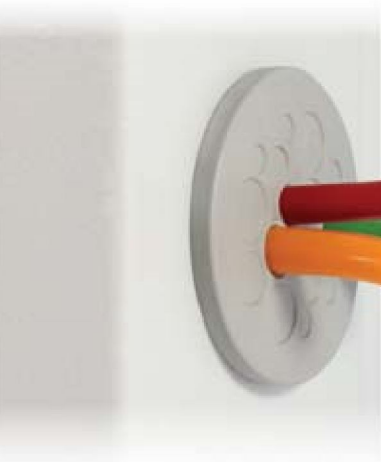
Accessories

ST-B Plugs	76
FP Flanged plates	152 - 157
MP Module plates	148 - 149

* Only valid for grey product types

KEL-DP round

Cable entry plates



IP65



Also available in black.



Membrane on front



Special fixing ribs ensure a centred fit.

Product description

2

KEL-DP entry plates are designed for routing cables without connectors.

The KEL-DP products are a cost saving alternative to traditional cable glands.

Simply make a small hole in the thin membrane and push the cables through. The KEL-DP round provides protection IP65 / NEMA Type 12.

ST-B Plugs can be used for sealing pierced membranes if cables have been removed.

A special rib ensures a centred fit in the cut-outs.

Advantages & benefits

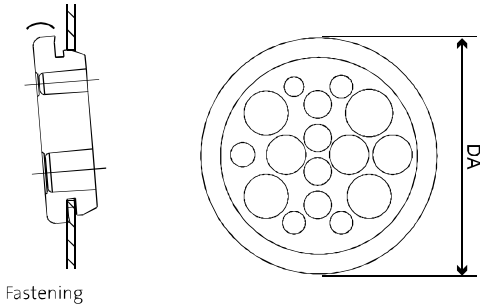
- Fast and easy assembly, no tools required
- High cable density
- Cost-effective
- For wall thickness 1,5 - 4 mm
- Hygienic design - free of dirt-collecting recesses

Type	Order No. Type A	Order No. Type B	Number of cables	Cut-out	External diameter DA	PU
KEL-DP 25 4	<input type="checkbox"/> 43533 <input checked="" type="checkbox"/> 50533	-	4× max. 8 mm	∅ 25 mm	32 mm	10
KEL-DP 25 6	<input type="checkbox"/> 43531 <input checked="" type="checkbox"/> 50531	-	4× max. 5.2 mm 2× max. 9.4 mm	∅ 25 mm	32 mm	10
KEL-DP 32 10	<input type="checkbox"/> 43532 <input checked="" type="checkbox"/> 50532	<input type="checkbox"/> 43560 <input checked="" type="checkbox"/> 50560	6× max. 5.2 mm 2× max. 6.4 mm 2× max. 9.4 mm	∅ 32 mm	38 mm	10
NEW KEL-DP 40 9	<input type="checkbox"/> 43536	<input type="checkbox"/> 43561	8× max. 9.5 mm 1× max. 11.3 mm	∅ 40 mm	50 mm	10
NEW KEL-DP 40 16	<input type="checkbox"/> 43537	<input type="checkbox"/> 43563	2× max. 5.3 mm 10× max. 6.3 mm 2× max. 9.5 mm 2× max. 11.3 mm	∅ 40 mm	50 mm	10
NEW KEL-DP 40 17	<input type="checkbox"/> 43538	<input type="checkbox"/> 43565	1× max. 4 mm 16× max. 7.2 mm	∅ 40 mm	50 mm	10

* Only valid for grey product types



KEL-DP round Cable entry plates



Fastening



Type	Order No. Type A	Order No. Type B	Number of cables	Cut-out	External diameter DA	PU
------	------------------	------------------	------------------	---------	----------------------	----

KEL-DP 50 9	43554 50554	43568 50568	5× max. 7 mm 4× max. 18 mm	∅ 50 mm	60 mm	10
KEL-DP 50 11	43555 50555	43569 50569	7× max. 7.2 mm 3× max. 11.2 mm 1× max. 22.5 mm	∅ 50 mm	60 mm	10
KEL-DP 50 12	43551 50551	43562 50562	10× max. 9.2 mm 2× max. 11.2 mm	∅ 50 mm	60 mm	10
KEL-DP 50 16	43550 50550	43564 50564	4× max. 5.3 mm 5× max. 6.3 mm 3× max. 9.5 mm 4× max. 11.3 mm	∅ 50 mm	60 mm	10
KEL-DP 50 18	43553 50553	43567 50567	2× max. 4 mm 2× max. 6 mm 4× max. 7.2 mm 5× max. 9.4 mm 5× max. 12 mm	∅ 50 mm	60 mm	10
KEL-DP 50 20	43552 50552	43566 50566	16× max. 6.3 mm 4× max. 9.3 mm	∅ 50 mm	60 mm	10
KEL-DP 50 35	43556 50556	43570 50570	35× max. 5.2 mm	∅ 50 mm	60 mm	10

Specifications

Material	Elastomer
Colour	<input type="checkbox"/> grey (similar RAL 7035) <input type="checkbox"/> black
Flame class	UL94-Vo, self-extinguishing
IP rating	IP65 (certified acc. to EN 60529)
NEMA type rating	NEMA type 12 (acc. to UL 50E)
Temperature	- 40°C to + 90°C (static)
Properties	Halogen-free, silicone-free
Cut-out dimensions	Metric sizes
Plate depth	5 mm

Type A:	For wall thickness 1.5 - 2.5 mm
Type B:	For wall thickness 2.8 - 4 mm

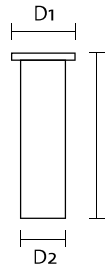
Accessories

ST-B Plugs	76
FP Flanged plates	152 - 157

* Only valid for grey product types

ST-B

Plugs for membranes



2

Product description

Plugs ST-B are used to seal already pierced membranes in various cable entry plates (KEL-DPU / KEL-DPZ / KEL-DP / KEL-QTA-DP) and DT grommets.

Perfect for applications where cables have been removed.

The IP rating of the cable entry plate remains.

Advantages & benefits

- Sealing of pierced cable entry membranes which are no longer in use

Specifications

Material: Polyamide (PA), white
 Flame class: UL94-Vo, self-extinguishing
 Temperature: - 40°C to + 120°C
 Properties: Halogen-free, silicone-free

Compatible with

KEL-DPU Cable entry plates: 62 - 63
 KEL-DPZ Cable entry plates: 64 - 71
 KEL-DP Cable entry plates: 72 - 75
 DT Cable entry grommets: 48
 KEL-QTA-DP Cable entry plates: 54

Type	Order No.	Diameter D1	Diameter D2	Length L	PU
ST-B 6	42806	8 mm	6 mm	16 mm	25
ST-B 10	42810	12 mm	10 mm	16 mm	25
ST-B 12	42812	15 mm	12 mm	16 mm	25
ST-B 16	42816	19 mm	16 mm	16 mm	25
ST-B 22	42822	25 mm	22 mm	21 mm	25
Assortment ST-B Plugs	42801	5x ST-B 6 5x ST-B 10 2x ST-B 12 1x ST-B 16 1x ST-B 22			